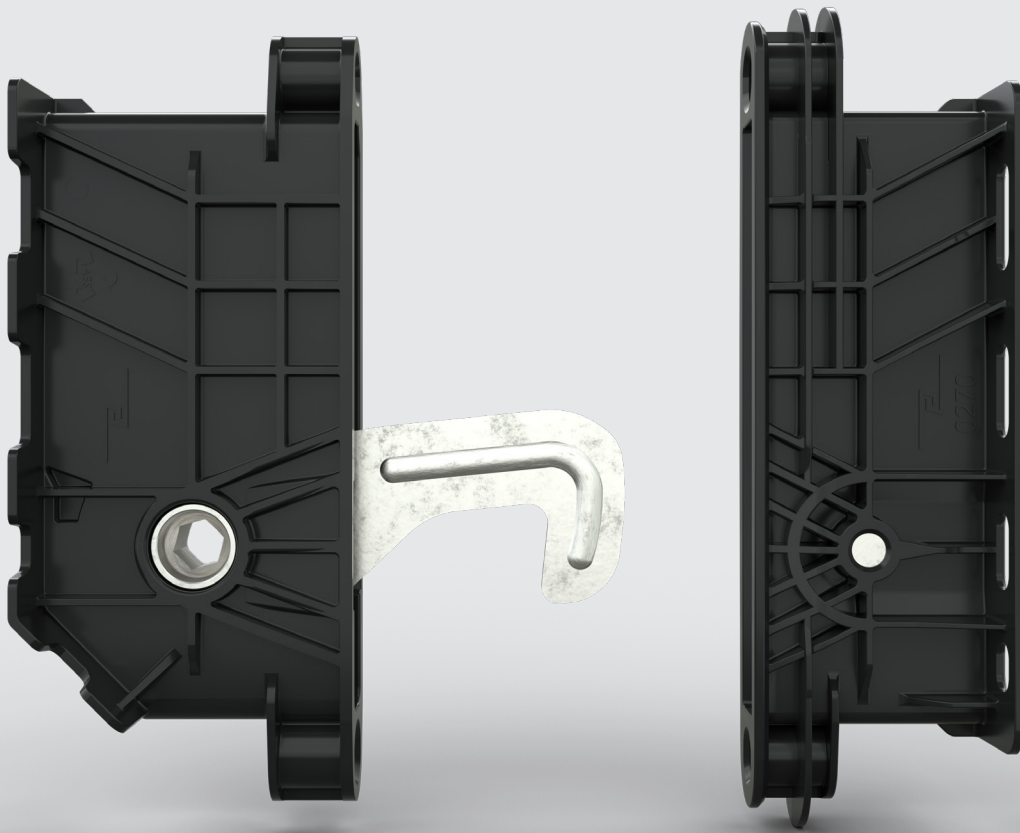
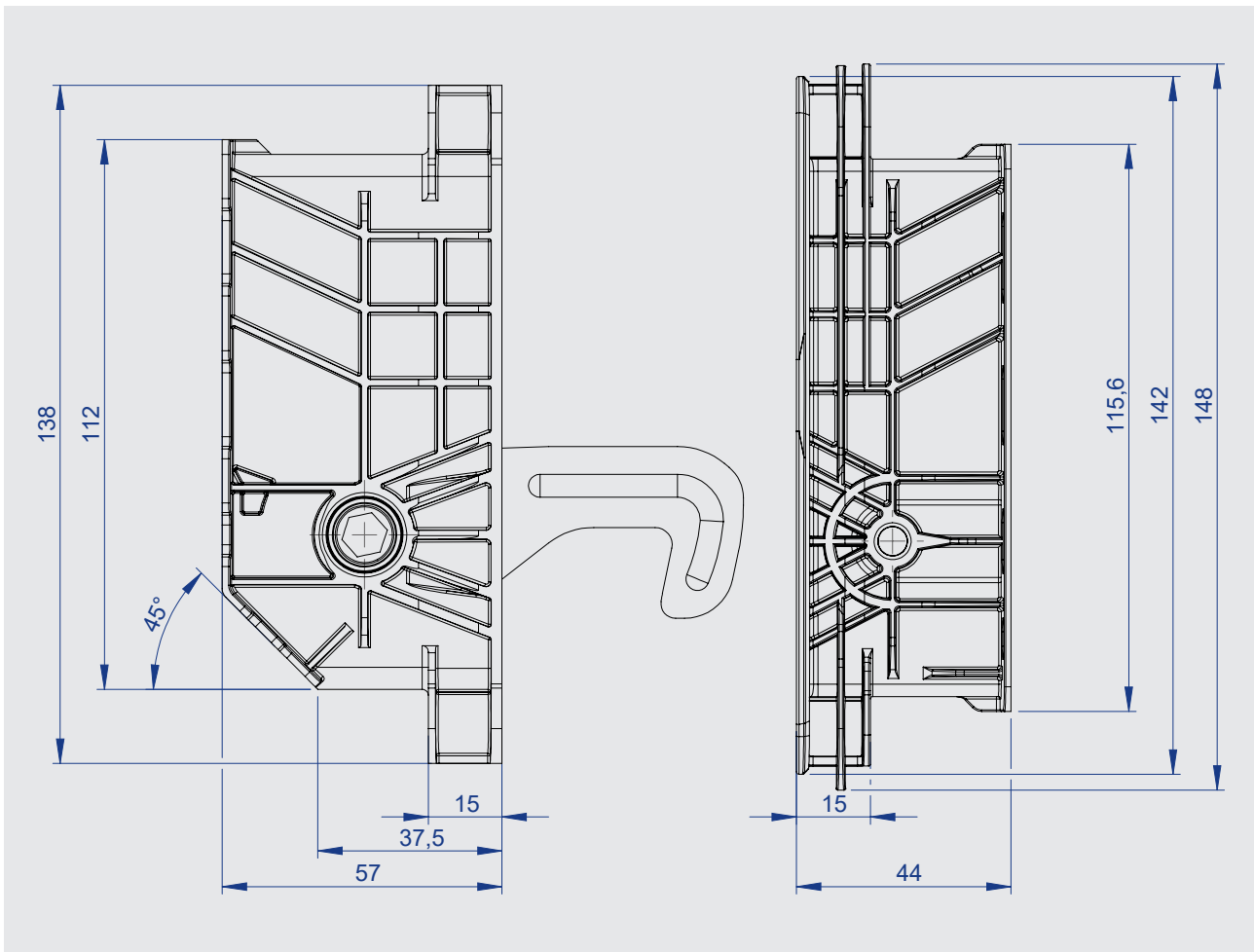


Panel Fastener Series 0270



- Latching system for foamed components
- **Constant tightening force due to eccentric gear**
- Tightening hook transport secured
- **Suitable for multiple assemblies and disassemblies**



This fastener is suitable for all types of foamed panels and allows for multiple assemblies and disassemblies. During panel manufacture, a thin plastic skin prevents foam from entering the fastener through the hole for the hexagonal key. This skin can later be easily pierced with a hexagonal key.

Optional installation aids allow perfect positioning of the fastener and its counter part and also prevent foam from spilling into the fastener housing.

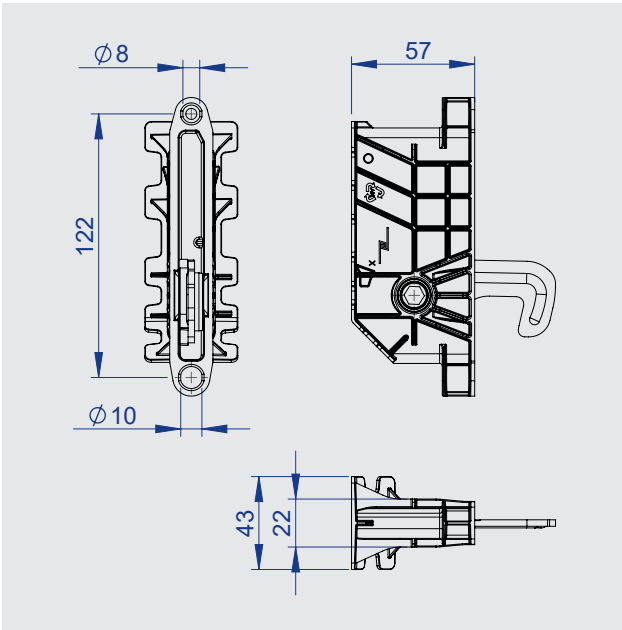
An eccentric gear provides a durable tightening force and security. Speaking of secure:
The tightening hook can be secured in place for transport.

Materials

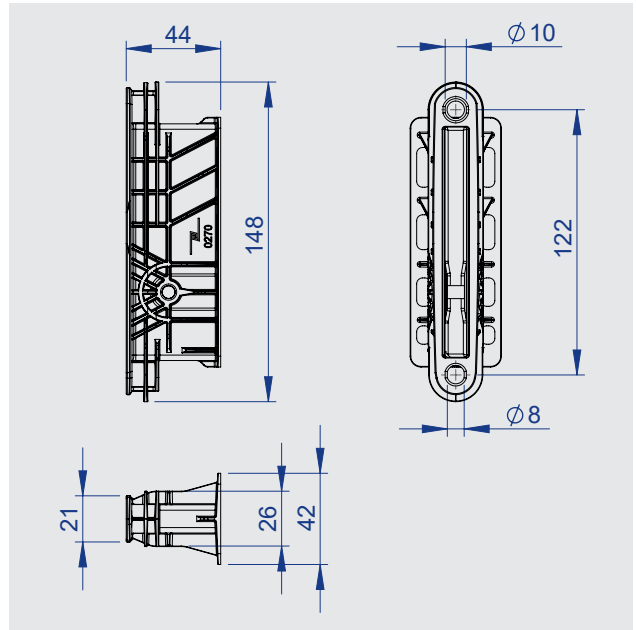
Housing:	Plastic
Hook:	Steel, zinc-plated
Eccentric gear:	Die-cast zinc
Bolt:	Steel, zinc-plated

Note: Please also see the assembly instructions.

Panel Fastener



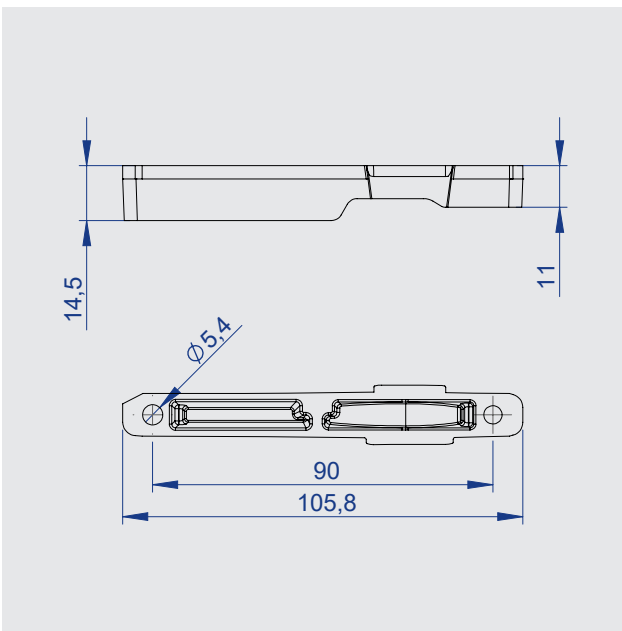
0270-020001
Fastener



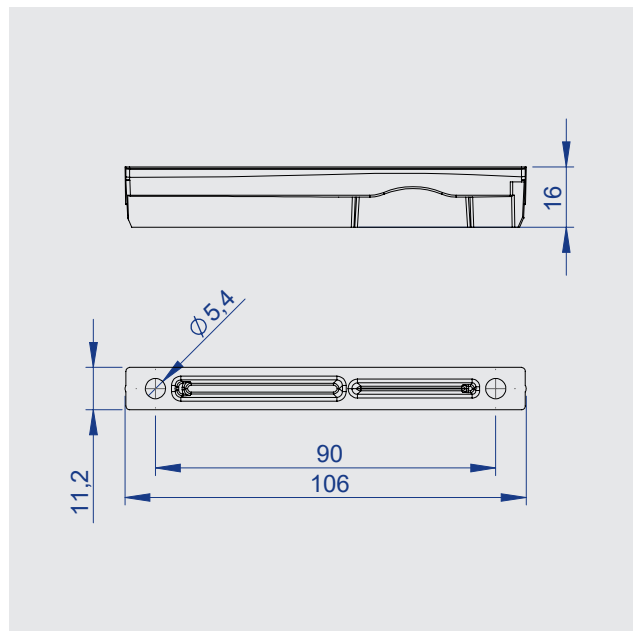
0270-020010
Counter part

Optional for installation aid

The installation aids allow the correct positioning of the fastener and its counter part and also prevent their housings from foam spilling into them.



0270-020009
Installation aid for fastener part,
reusable



0270-020019
Installation aid for counter part,
reusable

