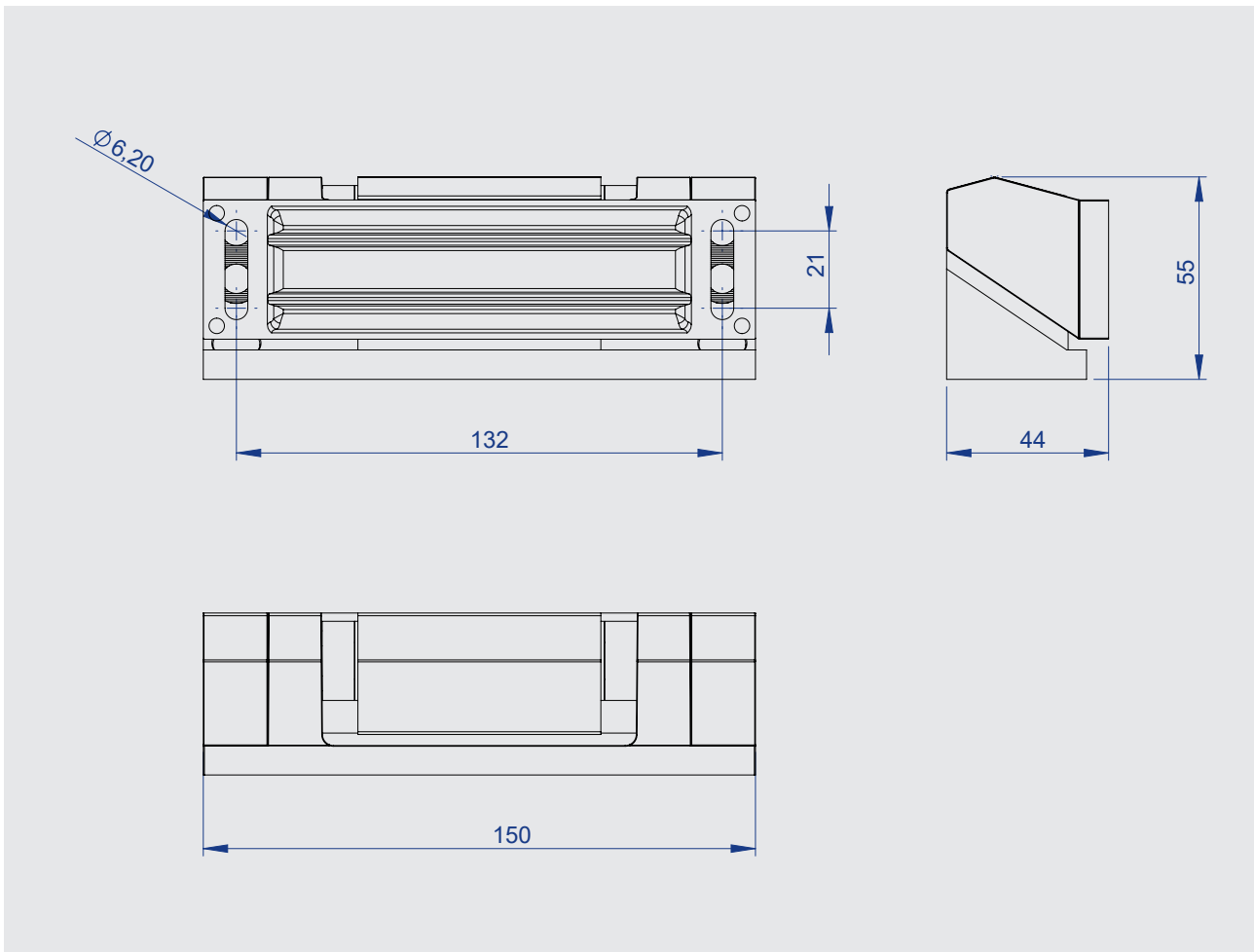


Edge-mounted hinge Series 4000/4001



- Sophisticated hinge in timeless design
- **Disassembly protection with closed door**
- Choice of rising / non-rising
- **Right and left variants**
- Load capacity with two hinges of max. 80 kg
- **Offset min. 44 mm**



Simply elegant: This sophisticated edge-mounted hinge convinces not only with timeless design, but also with extensive functionality: It is available for either left- or right-hand doors, and in rising and non-rising variants. The disassembly protection when the door is closed and a load capacity of max. 80 kg with two hinges provide secure closure.

Materials

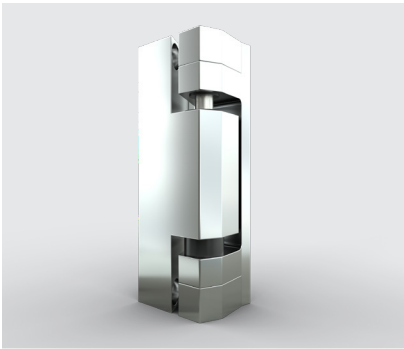
Hinge: Die-cast zinc, chrome-plated or powder-coated
 Caps: Die-cast zinc, chrome-plated or powder-coated
 Other components: Plastic or die-cast zinc or stainless steel or steel, zinc-plated

Finish: Chrome-plated, powder-coated

Standard colors: chrome, gray (RAL 7001)

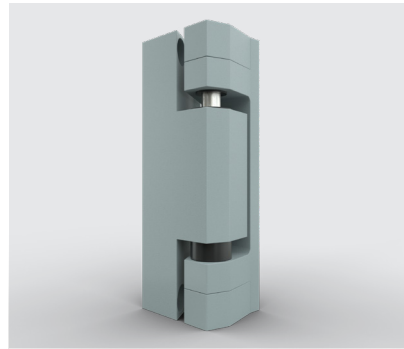
Note: Please also see the assembly instructions.

Variants



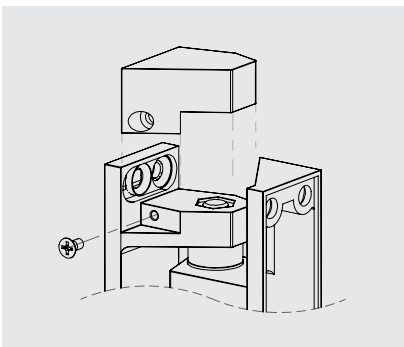
Hinge, chrome-plated

Right, rising	4001-020262
Left, rising	4001-020263
Non-rising	4000-020271



Hinge, gray (RAL 7001)

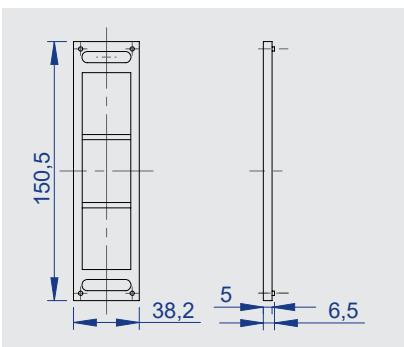
Right, rising	4001-020260
Left, rising	4001-020261
Non-rising	4000-020265



Disassembly protection

Access to cap screw only in open state

Optional



4000-020548

Shim, 5 mm

