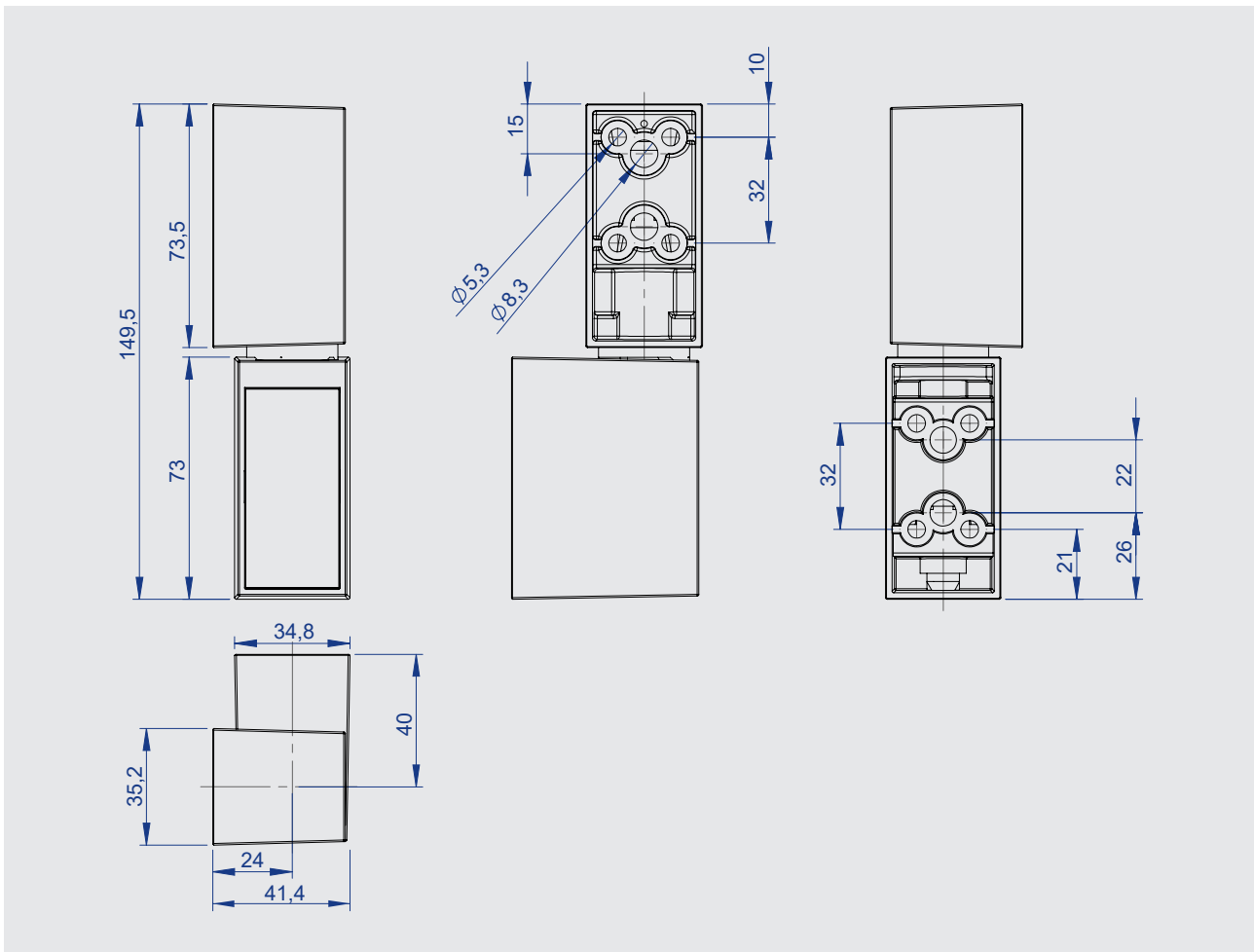


Edge-mounted hinge Series 4002/4003



- Classic hinge with retro look
- **Disassembly protection with closed door**
- Can be used for left- and right-hand doors
- Choice of rising / non-rising
- Unhingeable
- **Load capacity with two hinges of max. 40 kg**
- Offset min. 41,4 mm



This hinge has a classic retro look and wide range of functions, so it's a real winner for all closure systems. It's available in either rising or non-rising versions, is un hingeable, and can be used for both left- and right-hand doors. In addition, it has a security plate that prevents access to the mounting screws and thus acts as a burglar barrier. The disassembly protection when the door is closed and the load capacity of max. 40 kg with two hinges provide secure closure.

Materials

Hinge: Die-cast zinc, chrome-plated or powder-coated
 Caps: Die-cast zinc, chrome-plated or powder-coated
 Other components: Plastic or die-cast zinc or stainless steel or steel, zinc-plated

Finish: Chrome-plated, powder-coated

Standard colors: chrome, gray (RAL 7001)

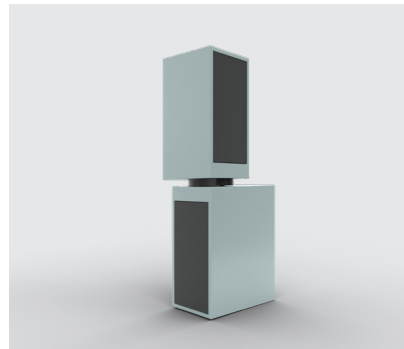
Note: Please also see the assembly instructions.

Variants



Hinge, chrome-plated

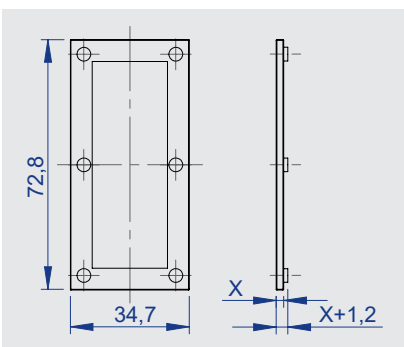
Rising	4003-020776
Non-rising	4002-020770



Hinge, gray (RAL 7001)

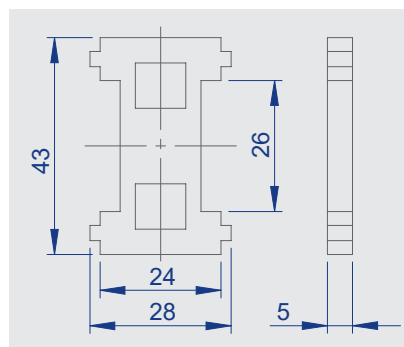
Rising	4003-020779
Non-rising	4002-020773

Optional



Shim, plastic, X mm

X = 2 mm	4002-020919
X = 11 mm	4002-020920



4002-020197
Security plate, plastic

