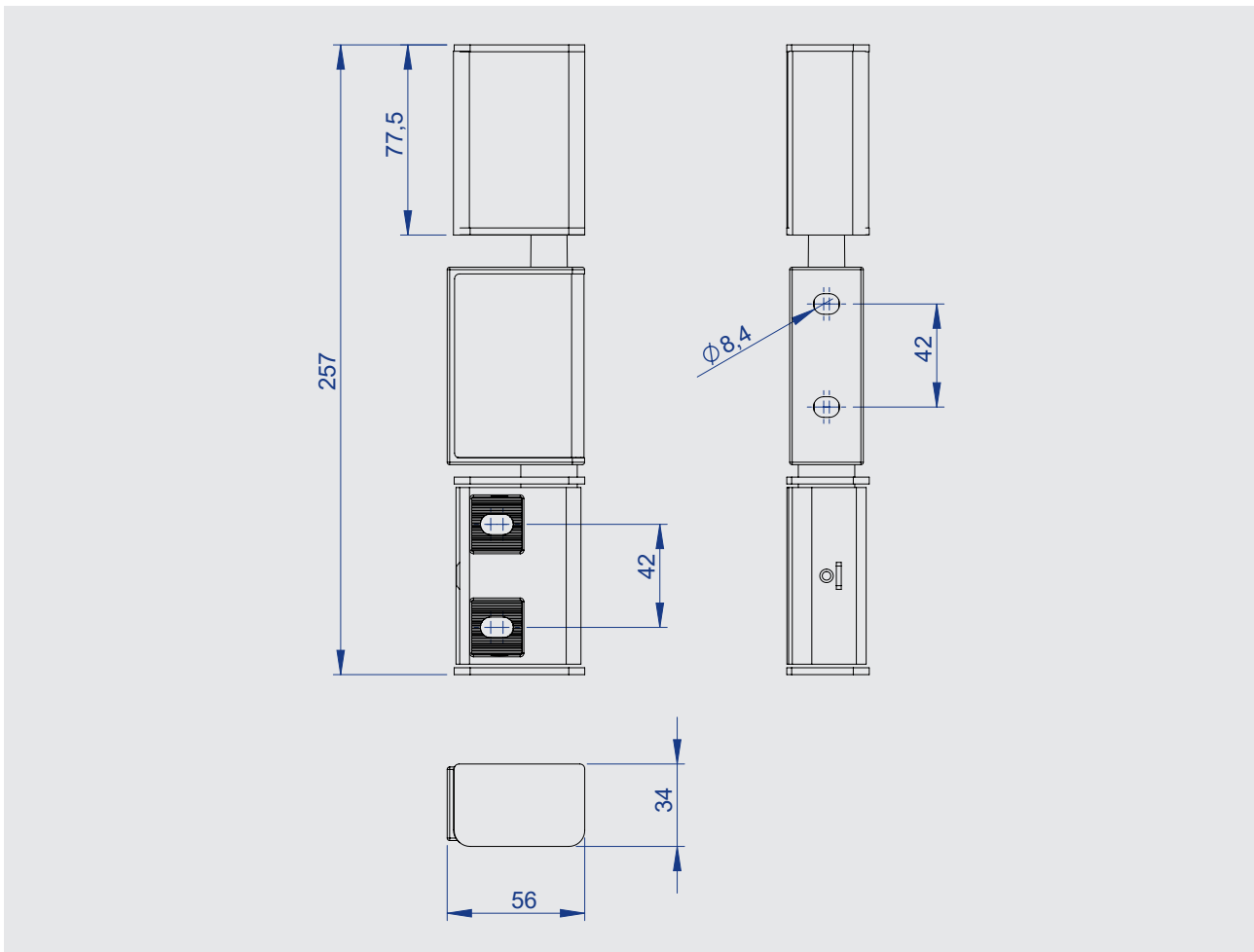


## Edge-mounted hinge Series 4004



- Robust plastic hinge in stainless steel look
- Disassembly protection with closed door
- Rising
- Adjustable in three axes
- Corrosion resistant
- Right and left versions
- Load capacity with two hinges of max. 80 kg
- Offset min. 34 mm

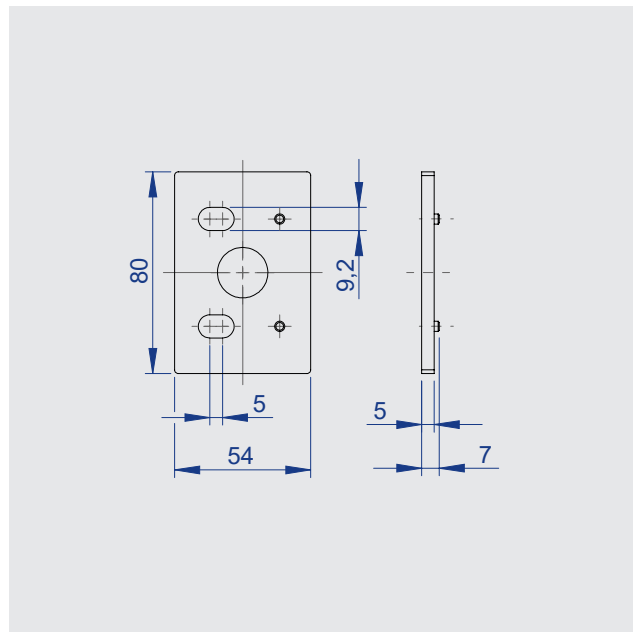


This edge-mounted hinge offers perfect closure with plastic. It may not look like it in view of its stainless steel appearance, but it really is plastic. The extremely robust hinge is corrosion-resistant, rising and has a load capacity of up to 80 kg in the double pack — seriously impressive. At the same time, it can be adjusted in three axes and is available as right and left version. This hinge simply offers more than you would think.

### Materials

Hinge: Die-cast zinc, surrounded with plastic  
 Caps: stainless steel, brushed  
 Other components: Plastic or die-cast zinc or stainless steel or steel, zinc-plated

**Note: Please also see the assembly instructions.**



**Hinge, black, stainless steel**

Right	<b>4004-020100</b>
Left	<b>4004-020101</b>

**4004-020010**  
Shim, plastic, 5 mm  
clipable

