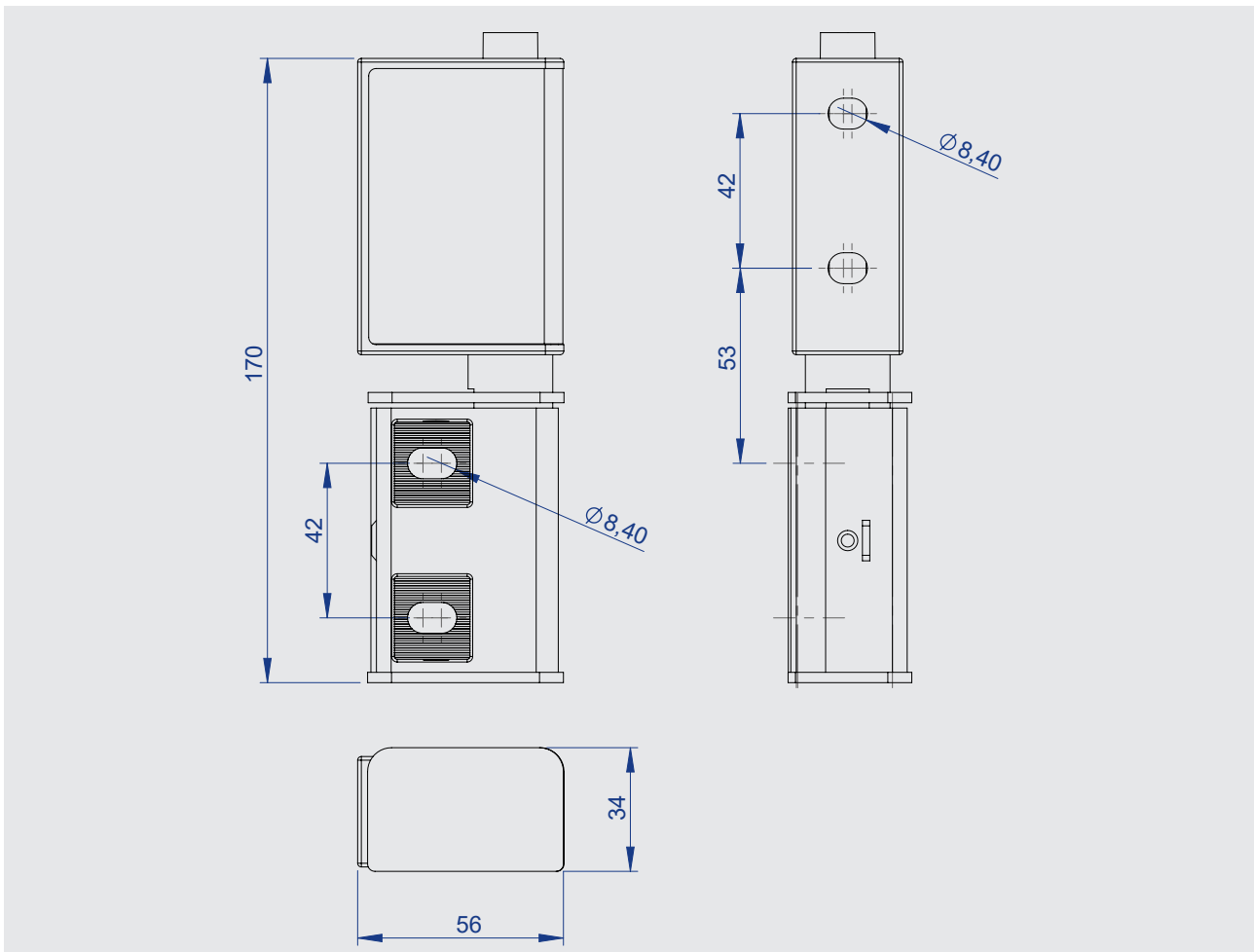


## Edge-mounted hinge Series 4006



- Edge-mounted hinge in stainless steel look
- **Corrosion resistant**
- Adjustable in three axes
- **Disassembly protection with closed door**
- Rising
- **Unhingeable**
- Right and left versions
- **Load capacity with two hinges of max. 40 kg**
- Offset min. 34 mm



Plastic? For hinges? Yes! You might not expect the material selection given the stainless steel look, but it really is plastic. The extremely robust edge-mounted hinge is corrosion-resistant, rising, unHINGEABLE, and has a load capacity of up to 40 kg with two hinges – seriously impressive. At the same time, it can be adjusted in three axes and comes in a right or left version, as well as a disassembly protection when the door is closed. This plastic hinge brings something new to the table!

### Materials

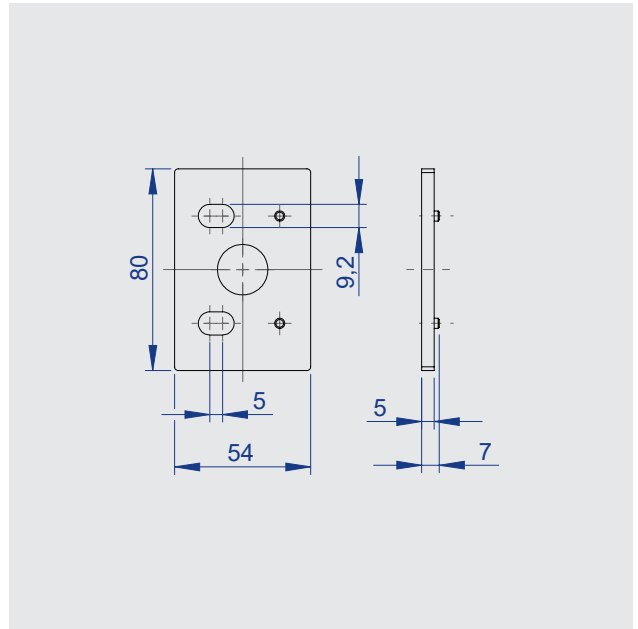
Hinge: Die-cast zinc, surrounded with plastic  
 Caps: stainless steel, brushed  
 Other components: Plastic or die-cast zinc or stainless steel or steel, zinc-plated

**Note: Please also see the assembly instructions.**



**Hinge, black, stainless steel**

Right	<b>4006-020102</b>
Left	<b>4006-020103</b>



**4004-020010**  
Shim, plastic, 5 mm  
clipable

