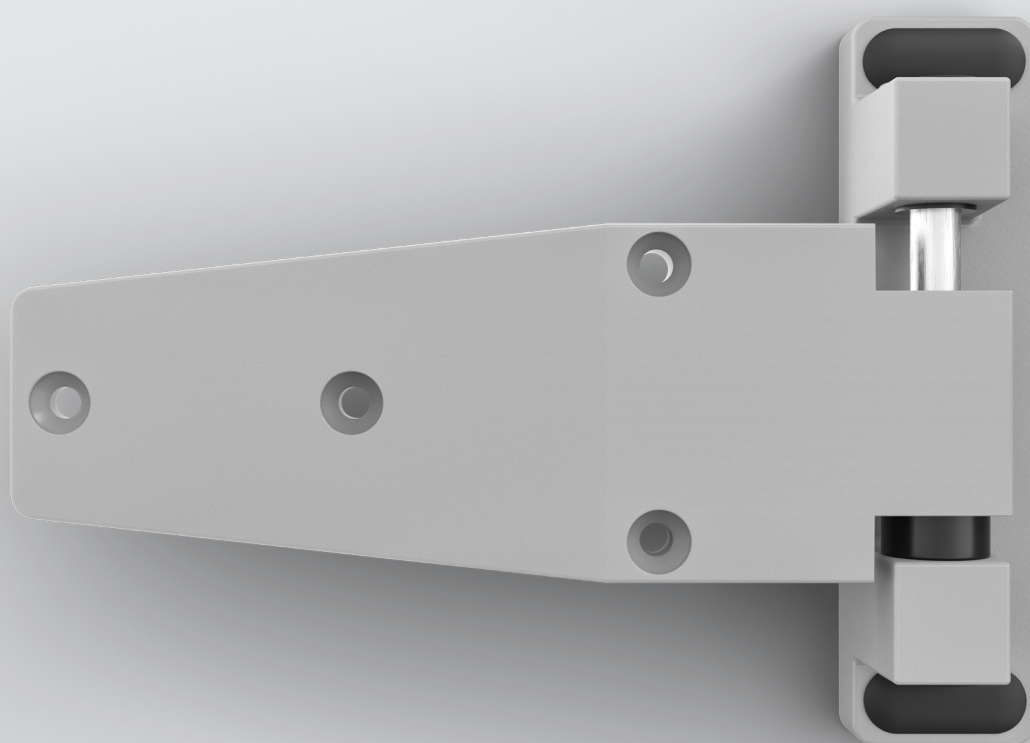
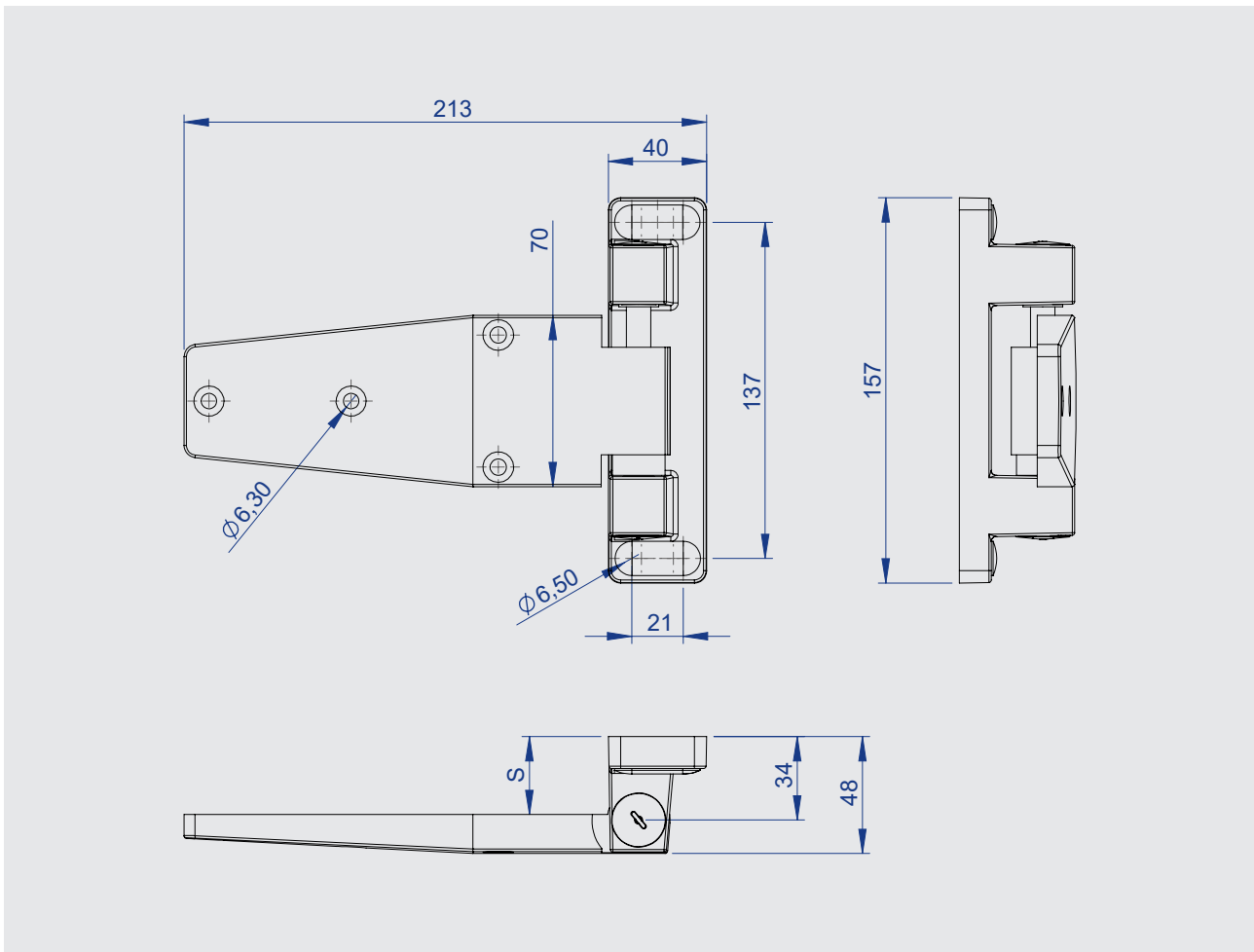


Hinge Series 4296



- Hinge for the highest demands
- **Rising**
- Adjustable in two axes
- **Right and left versions**
- Load capacity with two hinges of max. 80 kg



This hinge is made for the highest of all demands and always masters them with just one swing. Stability meets functionality here: The robust hinge is rising, adjustable in two axes and available in right and left versions. In a double pack, it even lifts up to 80 kg — strong as a bear!

Materials

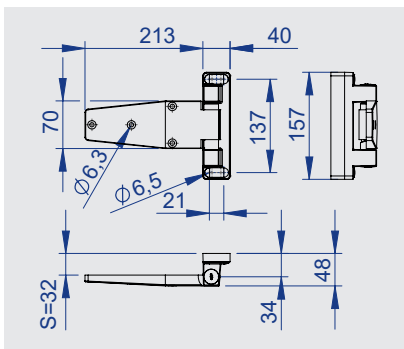
Hinge: Die-cast zinc, powder-coated
 Caps: Plastic
 Other components: Plastic or die-cast zinc or stainless steel or steel, zinc-plated

Finish: Powder-coated

Colors: black, gray aluminum (RAL 9007)

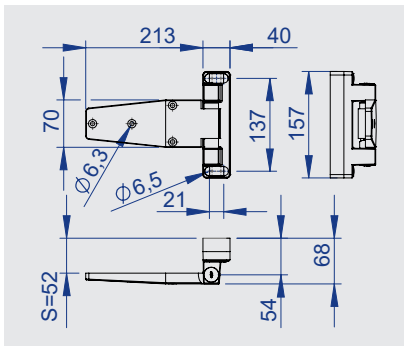
Note: Please also see the assembly instructions.

Variants



Hinge, rising
S = 32 mm

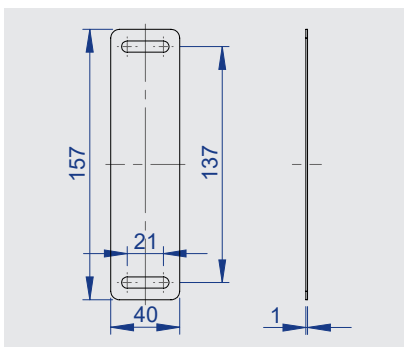
| | Right | Left |
|-----------------|--------------------|--------------------|
| Gray (RAL 9007) | 4296-020012 | 4296-020011 |
| Black | 4296-020022 | 4296-020021 |



Hinge, rising
S = 52 mm

| | Right | Left |
|-----------------|--------------------|--------------------|
| Gray (RAL 9007) | 4296-020034 | 4296-020033 |
| Black | 4296-090044 | 4296-090043 |

Optional



4296-020050
Shim, plastic, 1 mm

