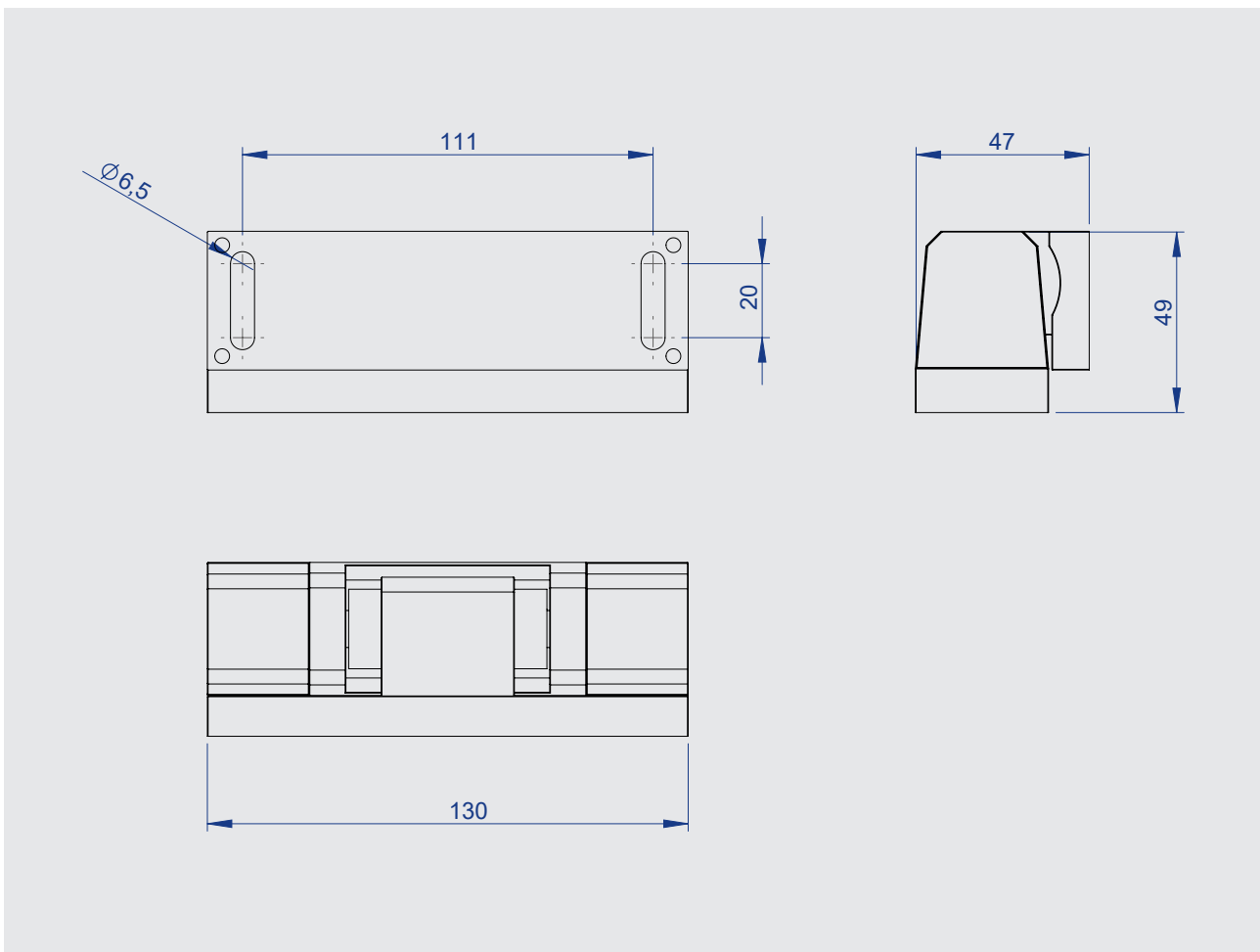


Edge-mounted hinge Series 4510/4511



- Straightforward hinge in straight optics
- **Adjustable in two axes**
- Choice of rising / non-rising
- **Right and left versions**
- Disassembly protection with closed door
- **Load capacity with two hinges of max. 80 kg**
- Offset min. 49 mm



Perfect closure guaranteed: This edge-mounted hinge not only looks extremely classy thanks to its straightforward look, but also knows how to please with its wide range of functions: Adjustable in two axes, optionally rising or non-rising and available in right and left versions. The disassembly protection when the door is closed and the load capacity of max. 80 kg with two hinges provide secure closure.

Materials

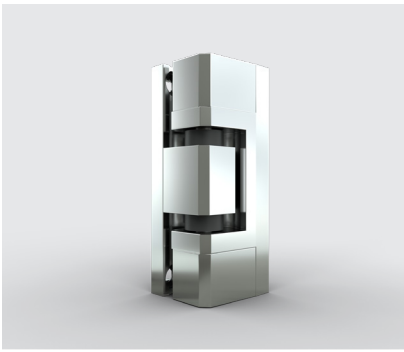
Hinge: Die-cast zinc, chrome-plated or powder-coated
 Caps: Die-cast zinc, chrome-plated or powder-coated
 Other components: Plastic or die-cast zinc or stainless steel or steel, zinc-plated

Finish: Chrome-plated, powder-coated

Standard colors: chrome, gray (RAL 7001)

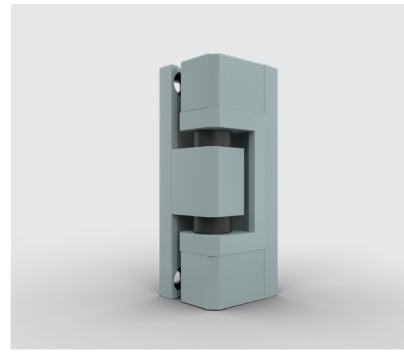
Note: Please also see the assembly instructions.

Variants



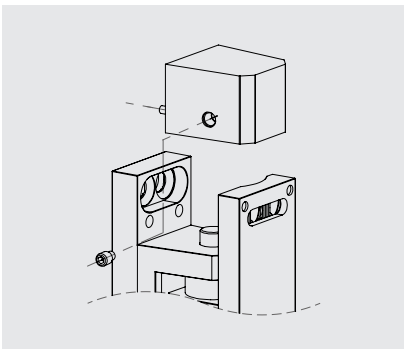
Hinge, chrome-plated

Right, rising	4511-020606
Left, rising	4511-020607
Non-rising	4510-020603



Hinge, gray (RAL 7001)

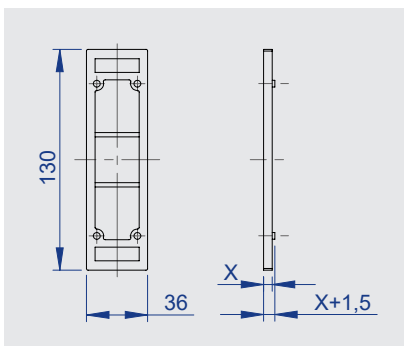
Right, rising	4511-020608
Left, rising	4511-020609
Non-rising	4510-020604



Burglar resistance

Access to cap screw only
in open state

Optional



Shim, plastic, X mm

X = 5 mm	4510-020614
X = 15 mm	4510-020967

