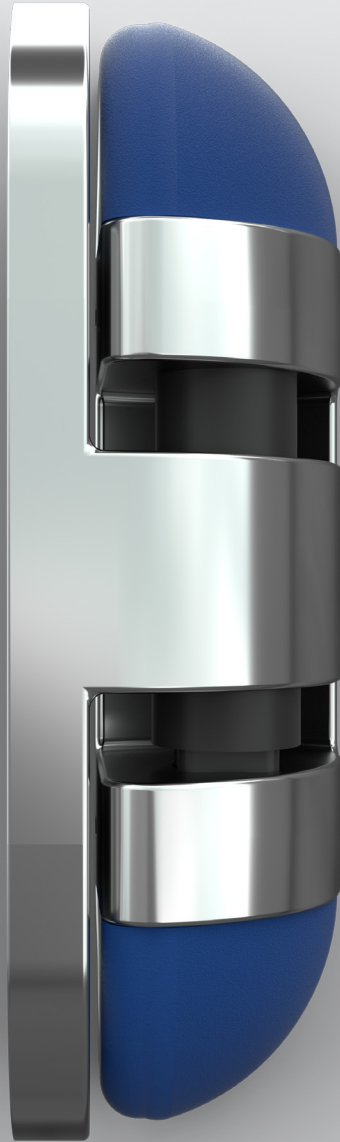
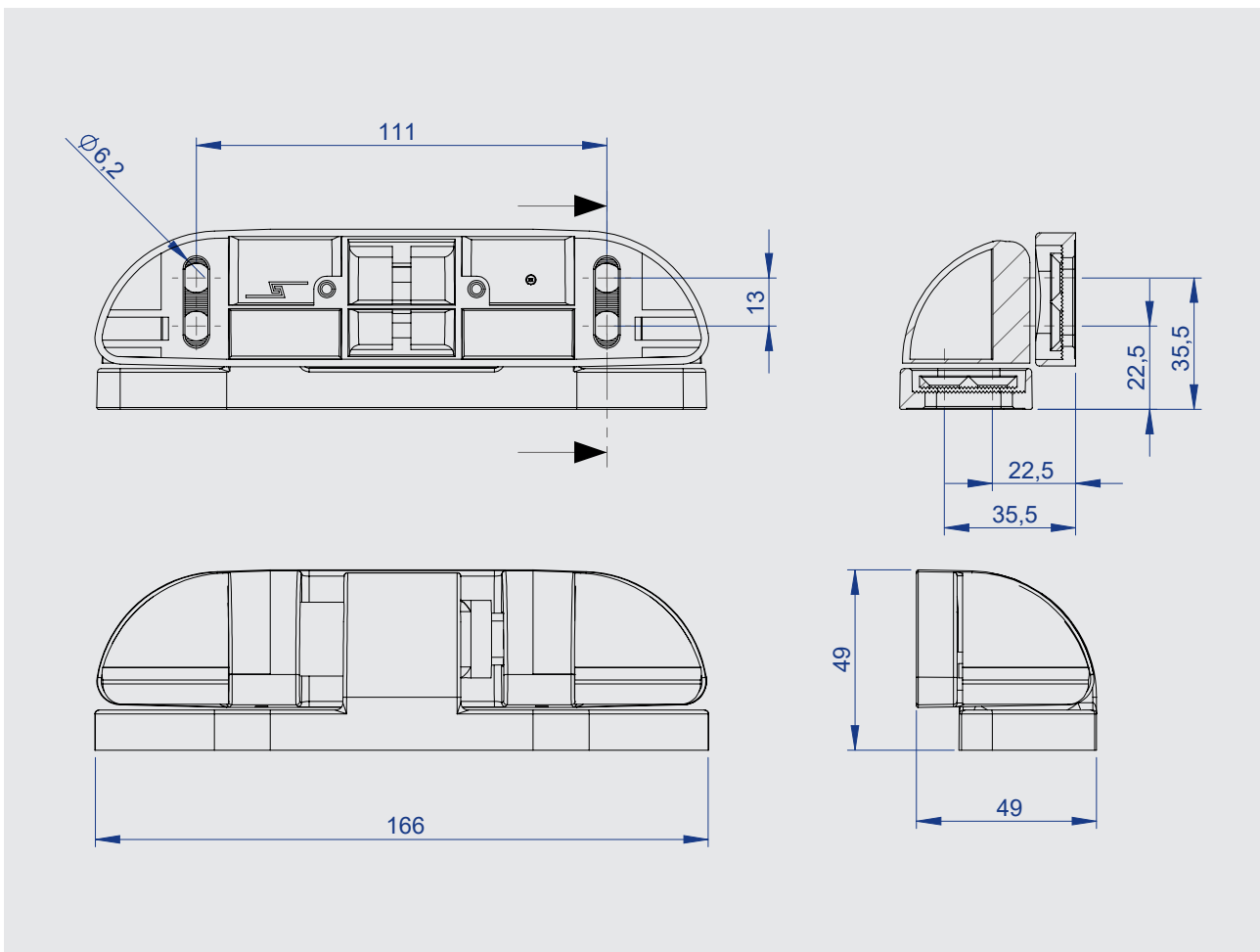


Edge-mounted hinge Series 4514 FUTURO



- Modern design for customization
- **Universal application**
- Adjustable in three axes optionally rising / non-rising
- **Can be used for left- and right-hand doors**
- Disassembly protection with closed door
- **Load capacity with two hinges of max. 80 kg**
- Caps colored, removable
- **Other colors on request**
- Offset min. 49 mm



Clear and modern: This hinge convinces with its futuristic design and customizing options: The caps are available in three standard colors but are not limited to only these three. On request any of the RAL colors are possible. Besides great looks though, these caps also act as a disassembly protection, covering up the mounting screws. This edge-mounted hinge is tried and tested as it combines a slew of useful functions: It can be adjusted in three axes, is available in either rising or non-rising versions, and is suitable for both left- and right-hand doors — universal usability par excellence. The load capacity of up to 80 kg with two hinges puts the icing on the cake.

Materials

Hinge: Die-cast zinc, chrome-plated or powder-coated
 Caps: Plastic
 Other components: Plastic or die-cast zinc or stainless steel

Finish: Chrome-plated, powder-coated

Standard colors: Hinge: chrome, gray (RAL 7001)
 Caps: black, gray, blue

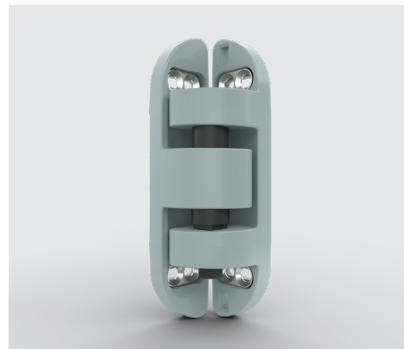
Note: Please also see the assembly instructions.

Variants



Hinge, chrome-plated

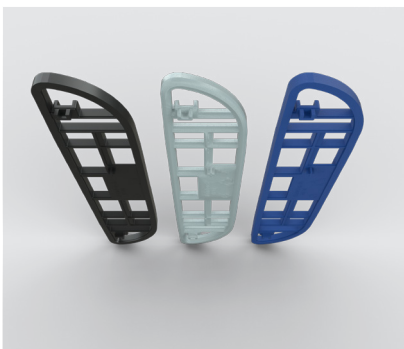
Right, rising	4514-020200
Left, rising	4514-020201
Non-rising	4514-020502



Hinge, gray (RAL 7001)

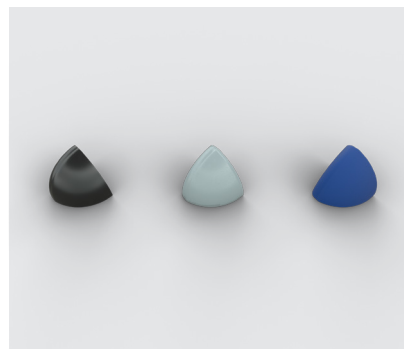
Right, rising	4514-020210
Left, rising	4514-020211
Non-rising	4514-020512

Optional



Shims

Black	4514-020050
Gray	4514-020051
Blue	4514-020053



Caps (pair)

Black	4514-020010
Gray	4514-020011
Blue	4514-020013

