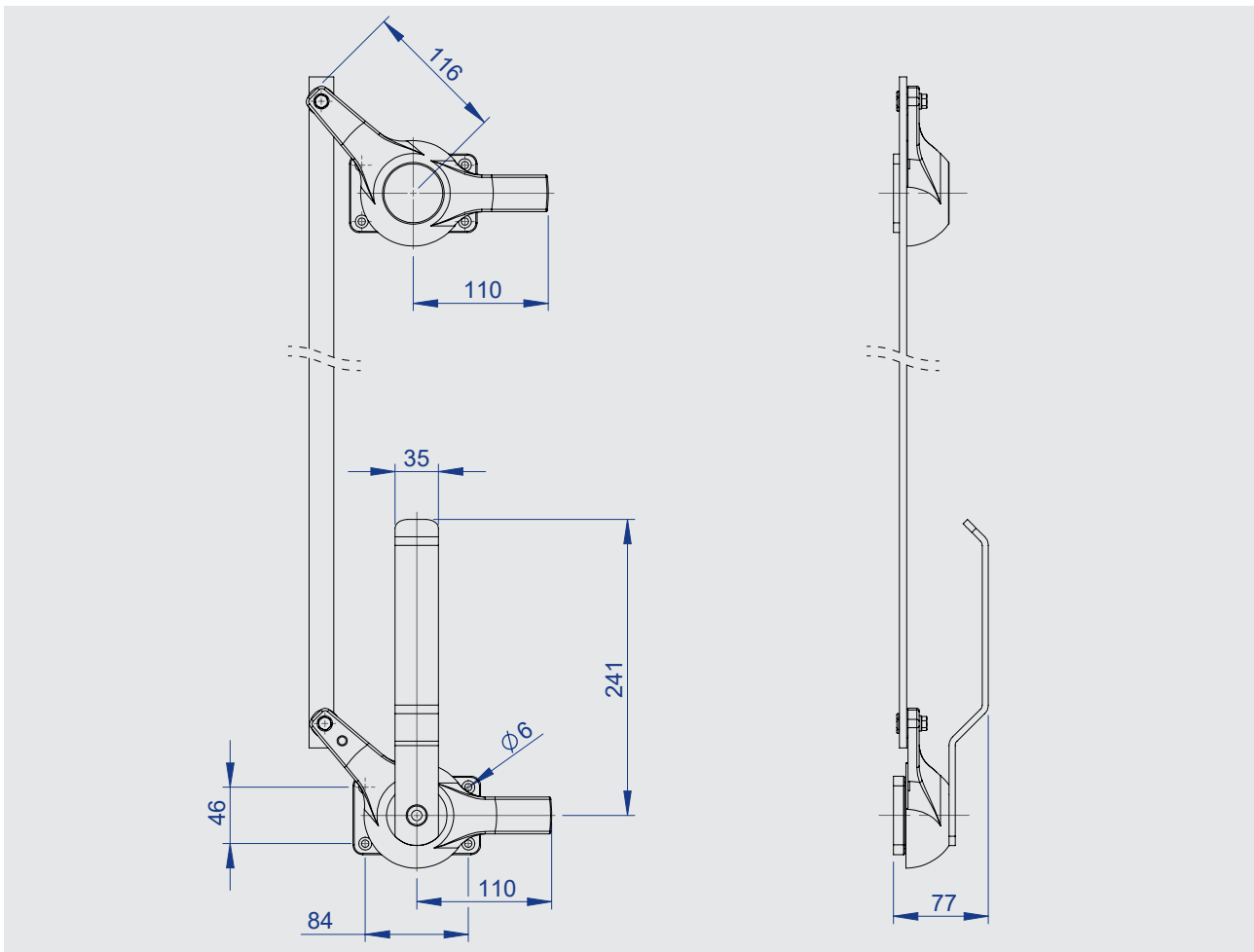


Multiple-point latching Series 7505 ROBUSTO



- Specially designed stainless steel latching system for extreme temperatures from -80°C to +180°C
- **Can be used as single-point or multi-point latching device**
- Various latching variants thanks to flexible modular system
- **Customized variants possible**
- Complementary outside handles series 7501, 7503 & 7506



The name says it all: This robust stainless steel latching system can handle even the most extreme temperatures. From -80°C to $+180^{\circ}\text{C}$, the multi-point latching system masters any situation. It is also ultra variable. That's because the flexible modular system also allows for single-point latching systems. There are virtually no limits to the variations, because the system can be perfectly adapted to almost any customer requirement. Compatibility with the 7501, 7503 and 7506 series outside levers adds the finishing touch. Locking bar not included.

Part numbers for outside handles see p. 7

Materials

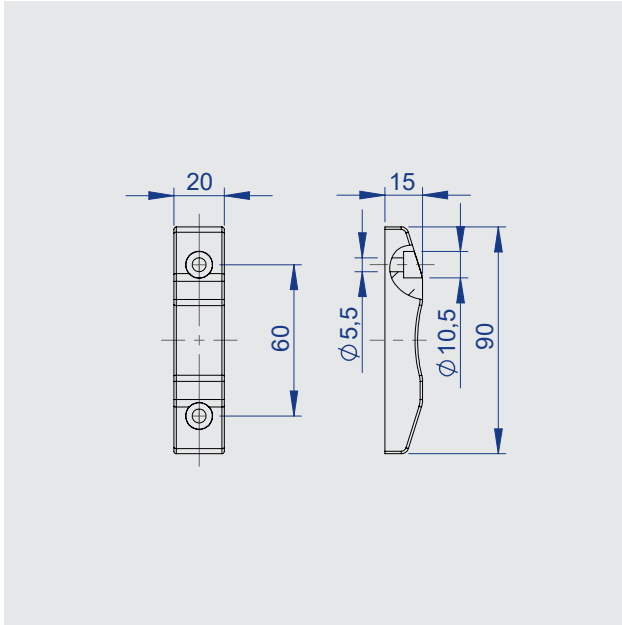
All components: Stainless steel

Handle coating: PVC

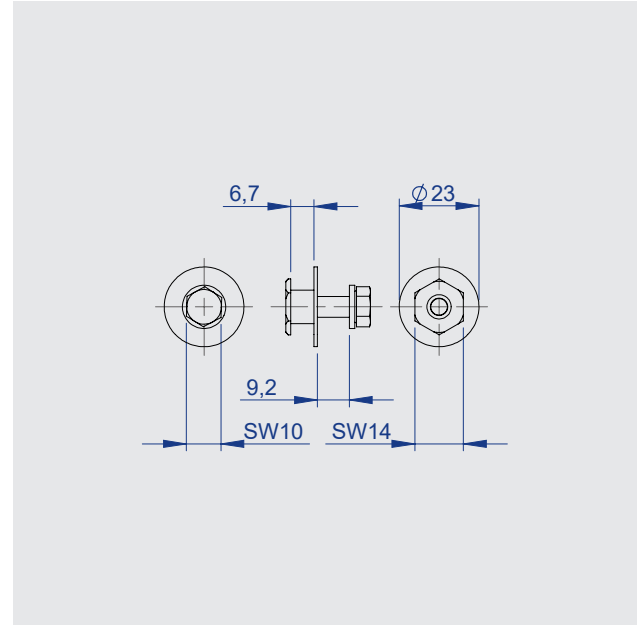
Accessories: Brass, plastic

Note: Please also see the assembly instructions.

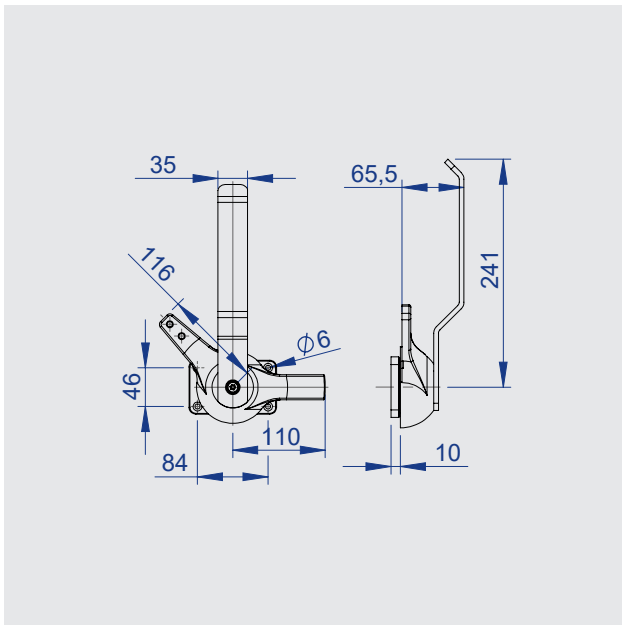
Accessories



Frame element, brass	7505-020065
Frame element, plastic	7505-020060

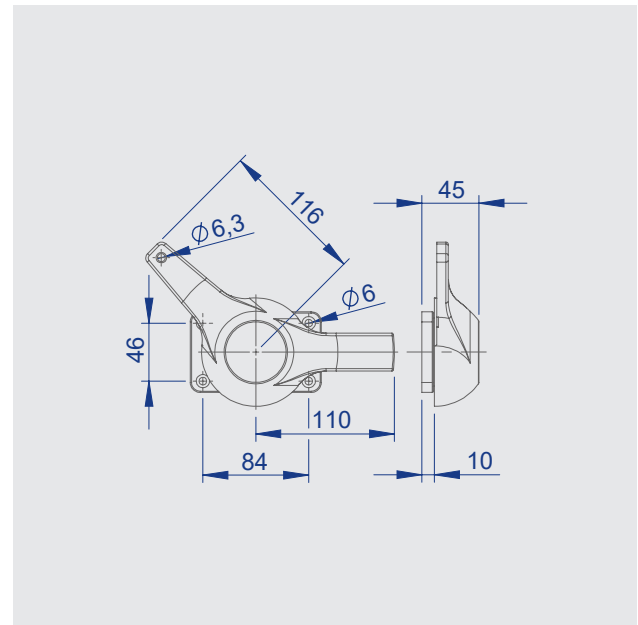


7505-020081
Fastening bolt for push rod



Inside handle for multi-point latching system

right-closing	7505-020014
left-closing	7505-020015



Multi-point latching part, stainless steel

right-closing	7505-020020
left-closing	7505-020021

