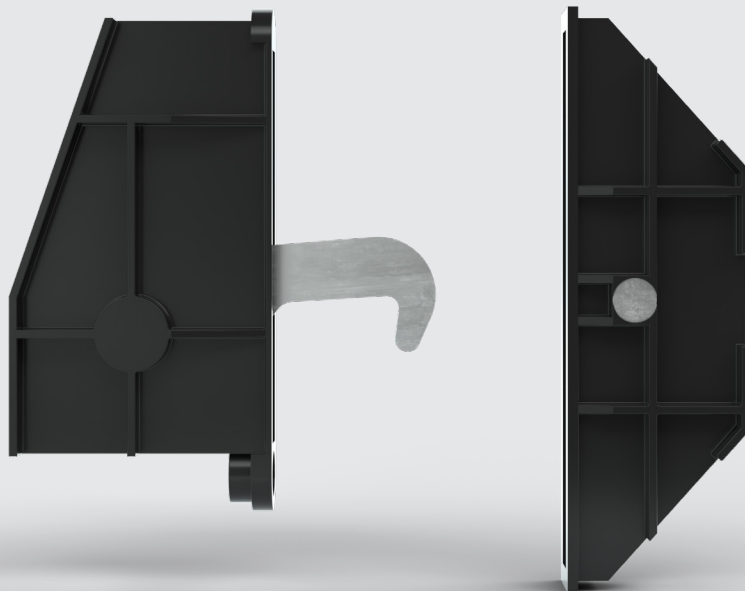
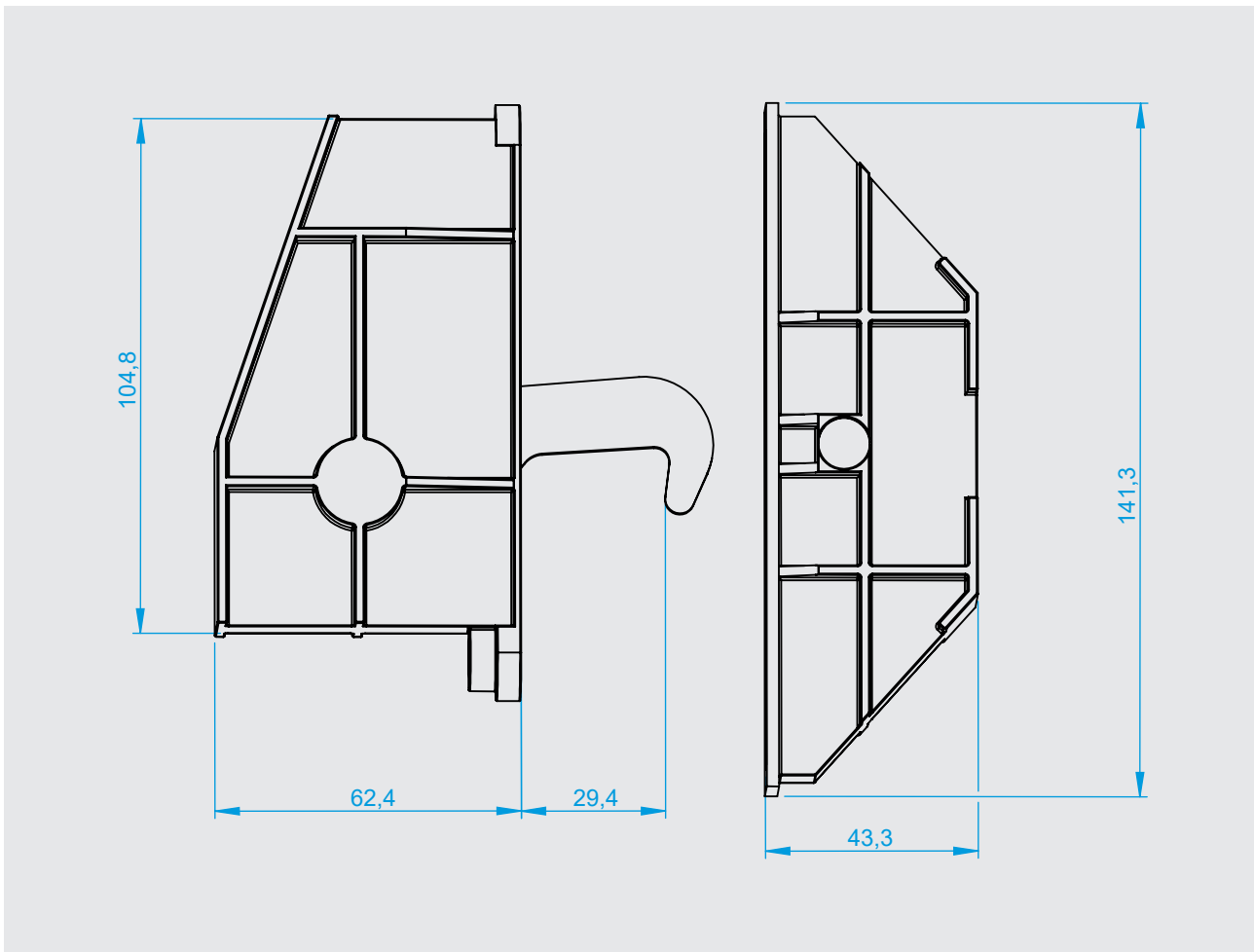


## Panel fastener Series 0253



- [Latching system for foamed components](#)
- Constant tightening force due to eccentric gear
- [Tightening hook transport secured](#)
- Suitable for multiple assemblies and disassemblies



This fastener is suitable for all types of foamed panels and allows for multiple assemblies and disassemblies. During panel manufacture, a thin plastic skin prevents foam from entering the fastener through the hole for the hexagonal key. This skin can later be easily pierced with a hexagonal key. An eccentric gear provides a durable tightening force and security. Speaking of secure:

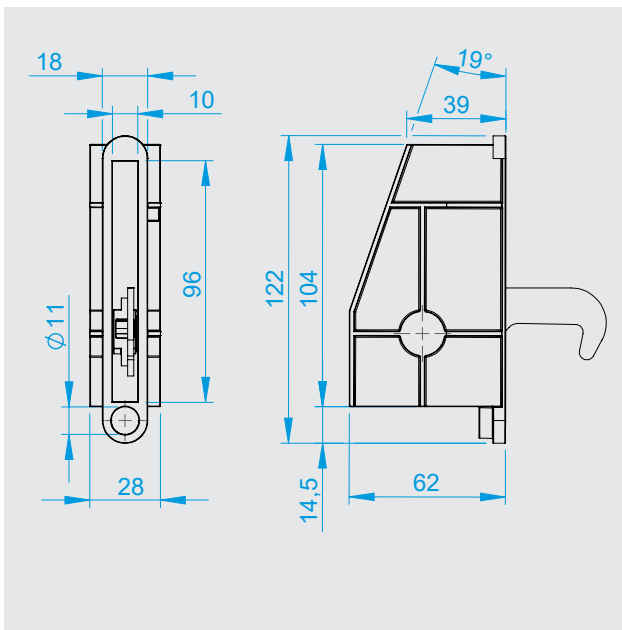
The tightening hook can be secured in place for transport.

### Materials

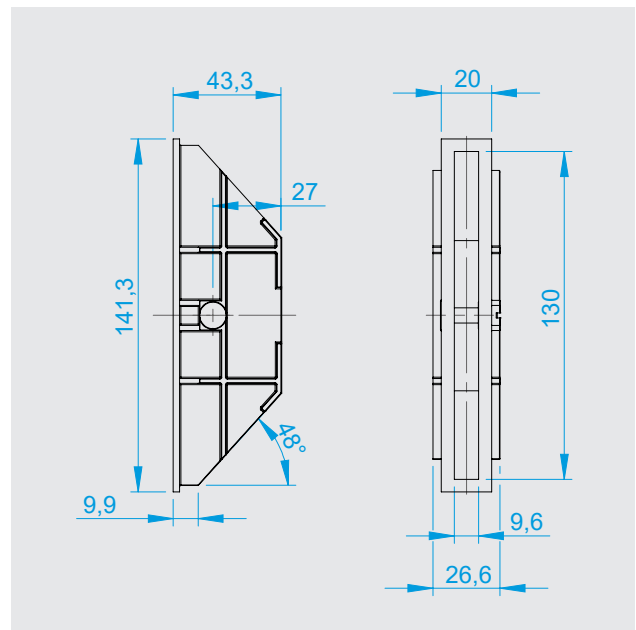
Housing:	Plastic
Hook:	Steel, zinc-plated
Eccentric gear:	Die-cast zinc
Bolt:	Steel, zinc-plated

**Note:** Please also see the assembly instructions.

## Latch



**0253-020001**  
Fastener



**0253-020002**  
Counter part

