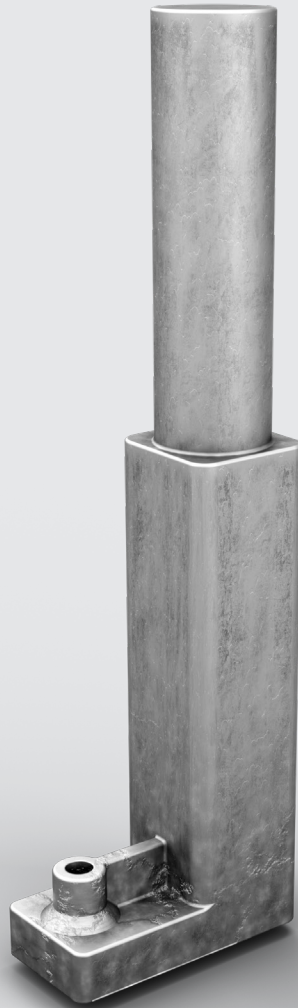
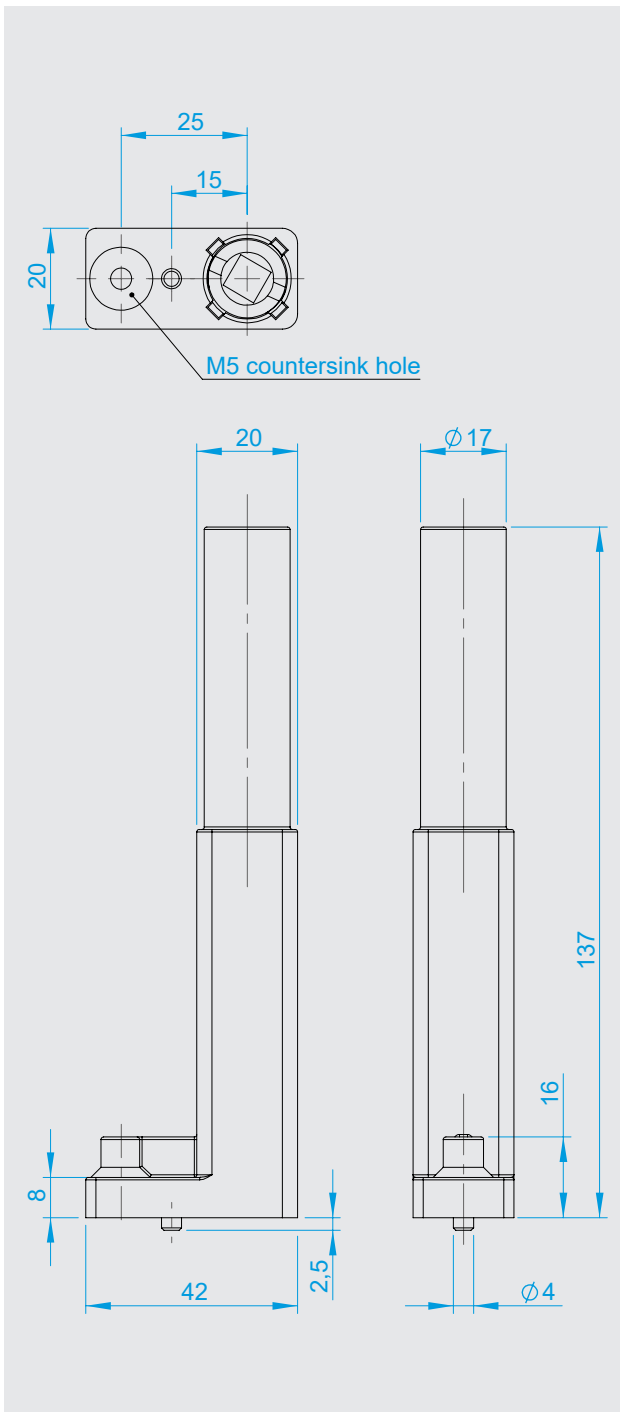


Spring-loaded hinge Series 3653 Dremo



- Hinge with integrated self-closing mechanism
- For commercial refrigerators and others
- Can be used for both left- and right-hand doors
- Self-closing
- Cartridge and door bearing to be foamed inside the door leaf
- Track bearing adjustable horizontally and vertically
- Opening angle 180°



3653-020616
Spring-loaded cartridge

Technical data

Recommended door - gross weight with at least 2 mounted hinges: approx. 40 kg (incl. all attachments, such as fasteners, etc.)

Left- or right-sided, position-dependent
Cannot be reconfigured

Corrosion:
Foamed-in parts not protected against corrosion

Setting options:
X = ± 2 mm
Y = ± 2.5 mm
Z = -- mm

Max. opening angle 355°
Door remains open at opening angle >90°

Pivot point:
Preset pivot point 58 mm

Special features:
Automatic spring-loaded door closing

Materials

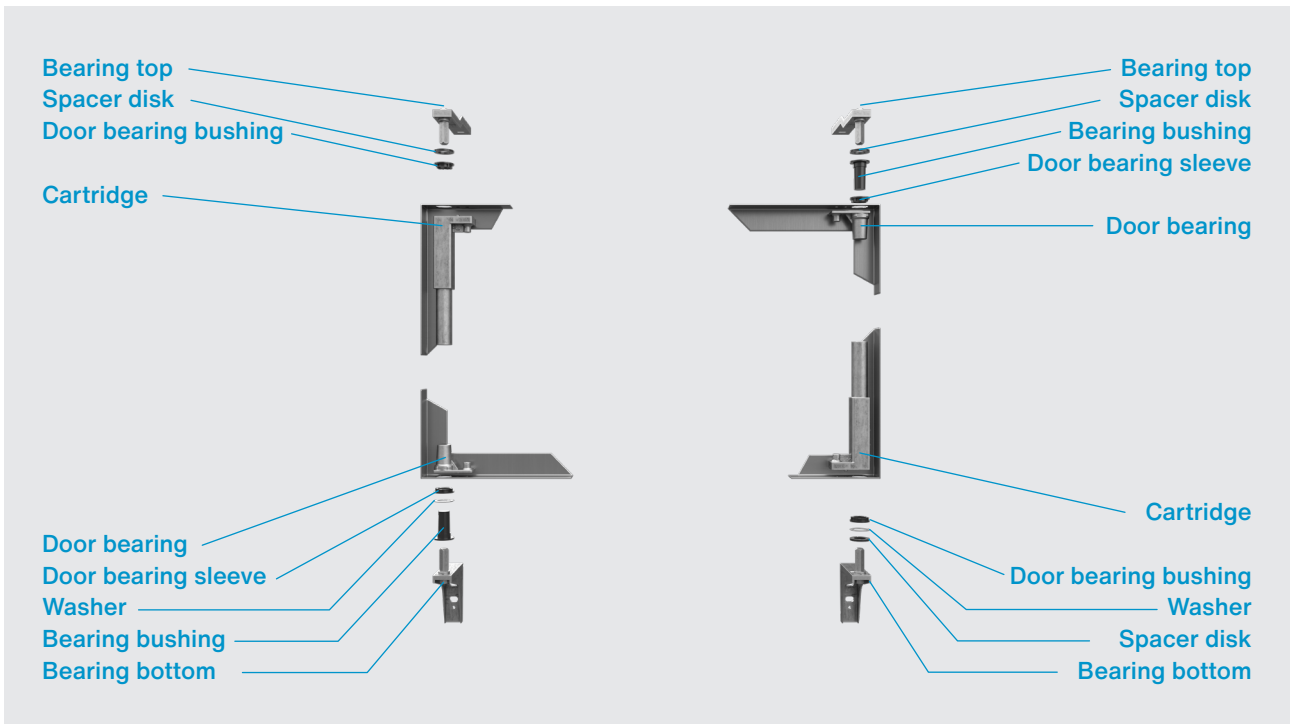
Hinge body: Die-cast zinc
Hinge pin: Steel, zinc-plated
Sliding curves: Plastic

Finish: Zinc-plated

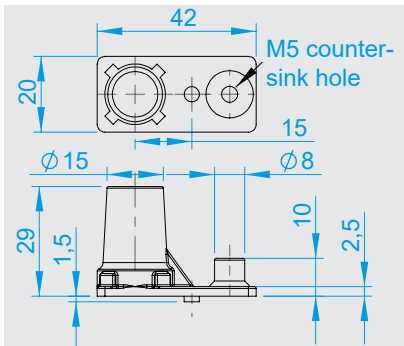
Note: Please also see the assembly instructions.

This hinge is a leader in commercial refrigerators in supermarkets and laboratories: With its integrated self-closing assistance, it successfully helps to save cooling energy. The spring hinge, consisting of the cartridge and door bearing, is foamed into the insulation core during installation — at the top for left-hand doors and at the bottom for right-hand doors. The track bearing is adjustable both horizontally and vertically and the opening angle is 180°.

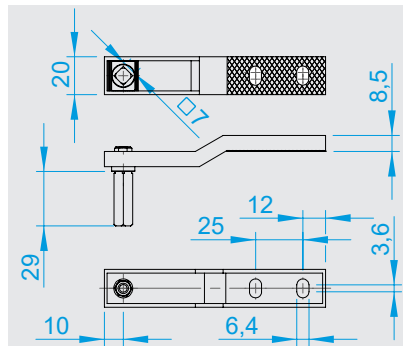
Spring-loaded hinge



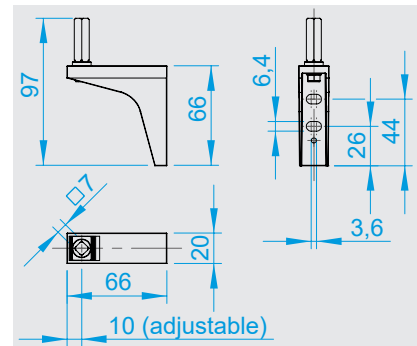
Accessories



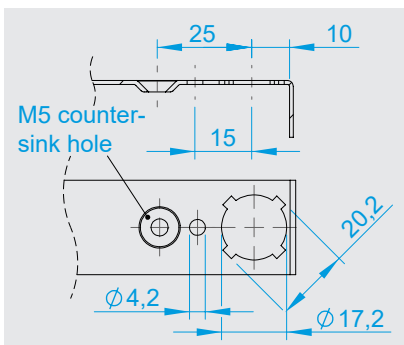
3653-020617
Door bearing



3653-020618
Bearing top



3653-020619
Bearing bottom



Hole pattern

Washer, brass	3653-020516
Spacer disc, plastic	3653-020517
Door bearing bushing, plastic	3653-020518
Bearing bushing, plastic	3653-020519

