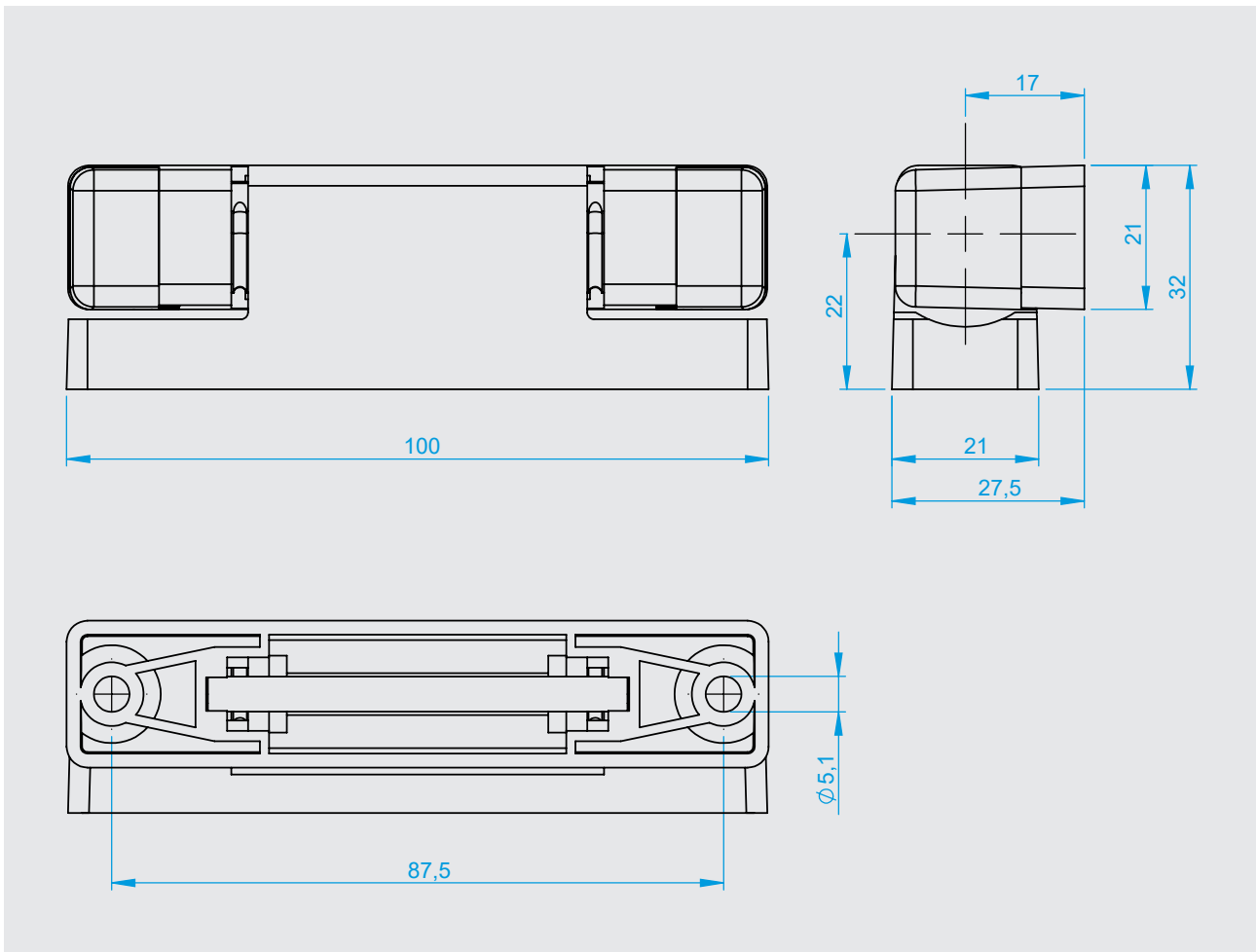


Edge-mounted hinge/Spring-loaded hinge Series 4513



- Variant with spring for self-closing
- max. opening angle 190°
- Load capacity with 2 hinges approx. 20 kg
- Non-rising
- Disassembly protection
- Offset min. 27,5 mm



Closing? No problem! With its optional spring, this hinge offers a very special experience when it comes to closing. With an opening angle of less than 45°, the door closes almost by itself. Another nice thing: You don't have to exclude security with this hinge. Its caps act as dismantling protection, because they can only be slid on and off when the door is open. The load capacity of two edge-mounted hinges is about 20 kg. The maximum opening angle is 190°.

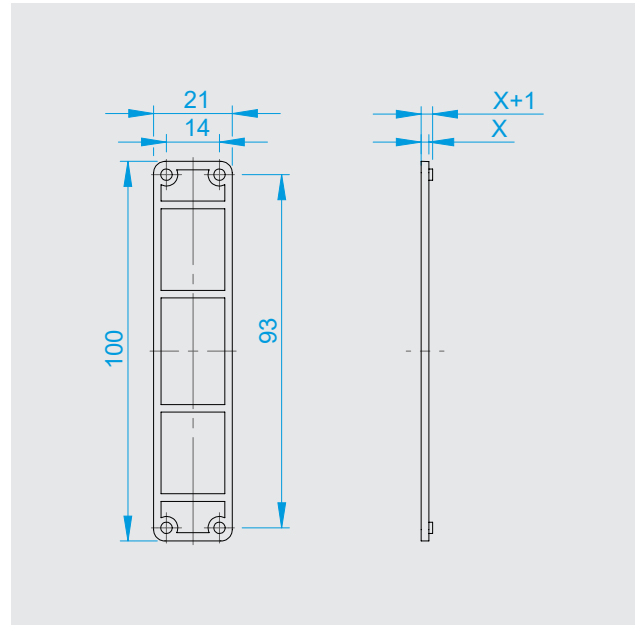
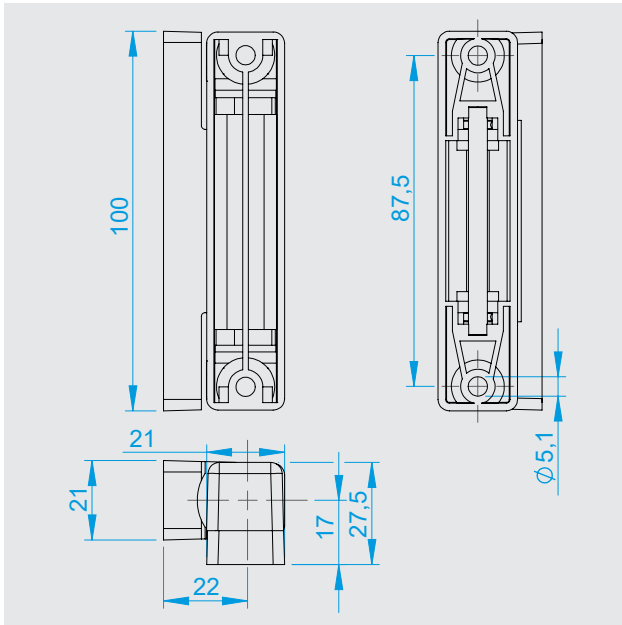
Materials

- Hinge body: Plastic
- Cover cap: Plastic
- Hinge pin: Stainless steel
- Other components: Stainless steel

Standard colors: Black

Note: Please also see the assembly instructions.

Variants



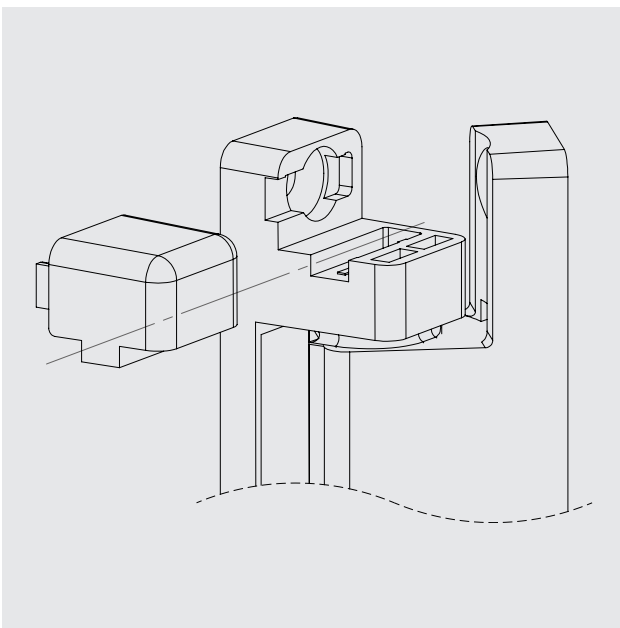
Hinge, plastic

With spring	4513-020650
Without spring	4513-020651

Shim, plastic, X mm

Shim 4.5 mm	4513-020652
Shim 2 mm	4513-020653

Drawing shows hinge with opened door



Assembly instructions

- Attach hinge without protective caps
- Open door $>90^\circ$
- Put on protective caps
- Close door

