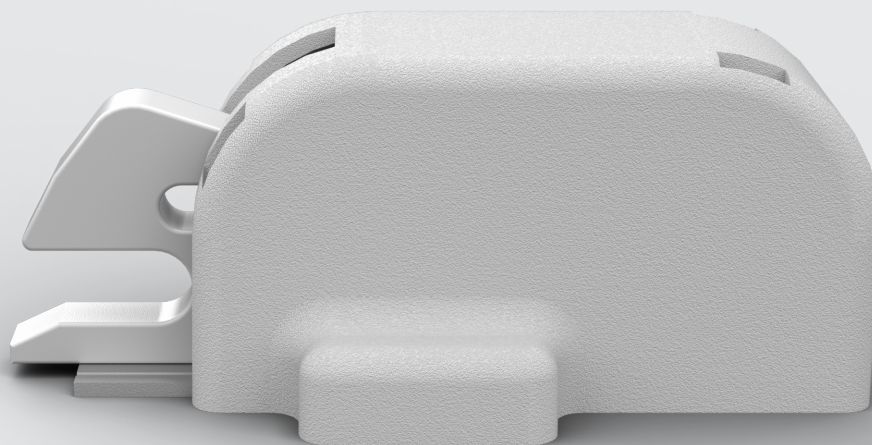
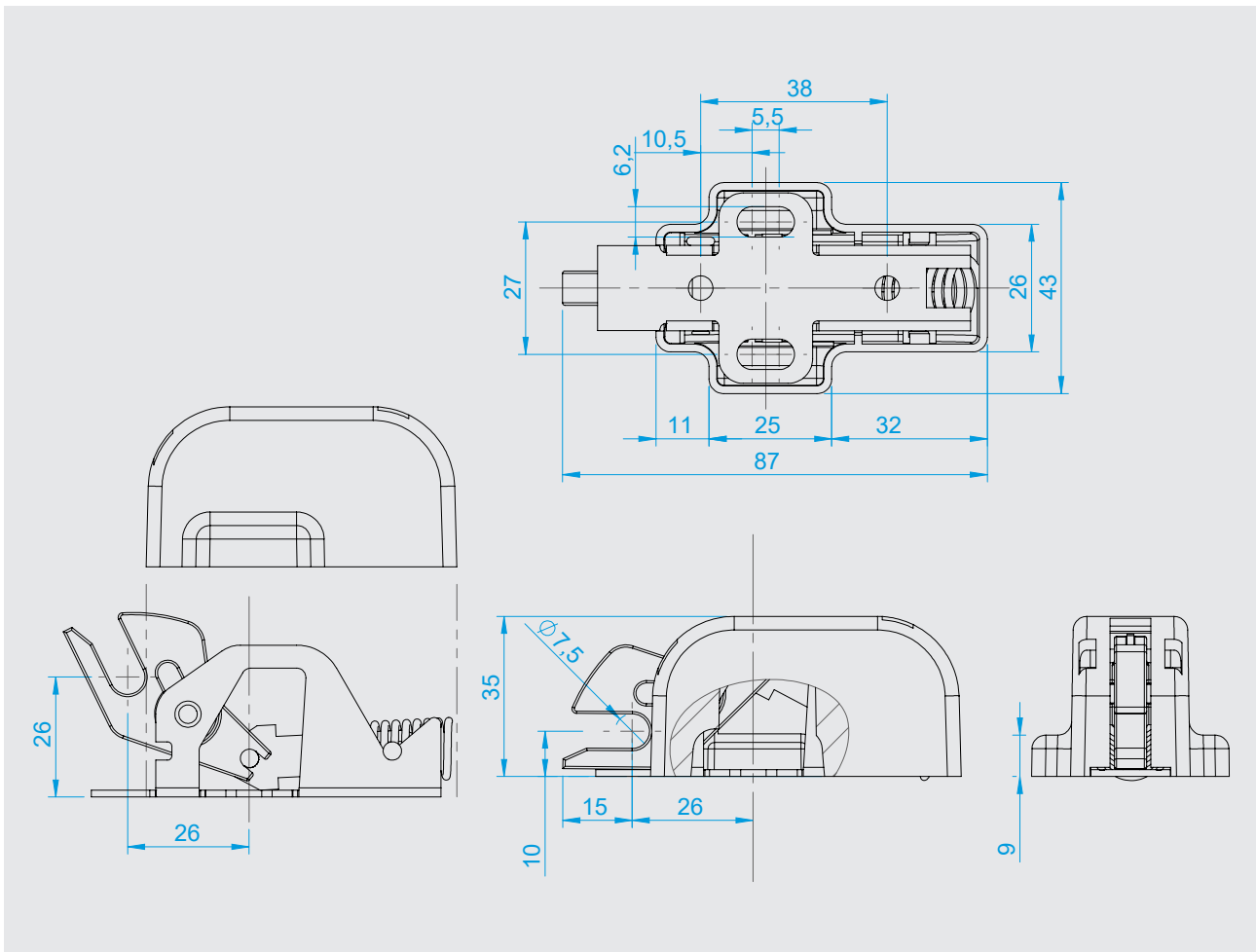


## Spring-loaded catch Series 5710



- Self-closing solution intended for concealed installation
- [Ideal for latch-free look](#)
- For doors and drawers
- [Latching possible with catch closed](#)



Invisible and amazing: This self-closing solution is intended for concealed installation. For example, it can be mounted behind a drawer or on the inside of a door. Using your own handles, you can create an ideal look that also works well: The system catches the strike even when the catch is in the closed position.

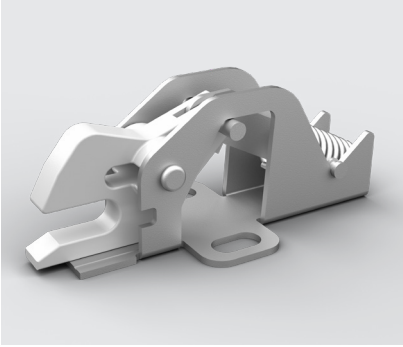
**Materials**

- Lock detent: Sheet steel, zinc-plated
- Pressure spring: Steel, zinc-plated
- Spring pin: Steel, zinc-plated
- Mandrel: Steel, zinc-plated
- Catch: Plastic
- Cap: Plastic

Cap color: Silver-gray

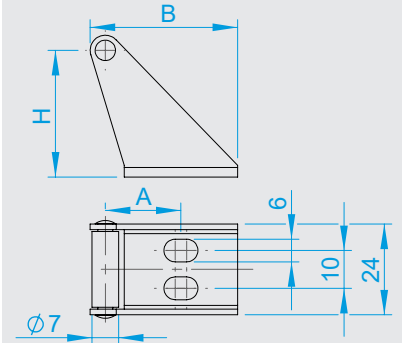
**Note: Please also see the assembly instructions.**

## Spring-loaded catch



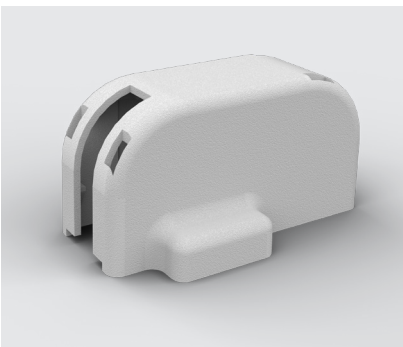
**5710-020050**  
Spring force 80N

## Strike



Strike A = 8 mm B = 24,5 mm H = 18 mm	<b>5710-020060</b>
Strike A = 14,5 mm B = 30,5 mm H = 25,5 mm	<b>5710-020070</b>
Strike A = 20 mm B = 39 mm H = 33,5 mm	5710-020075

## Cover



**5710-020055**  
Cover, silver-gray

