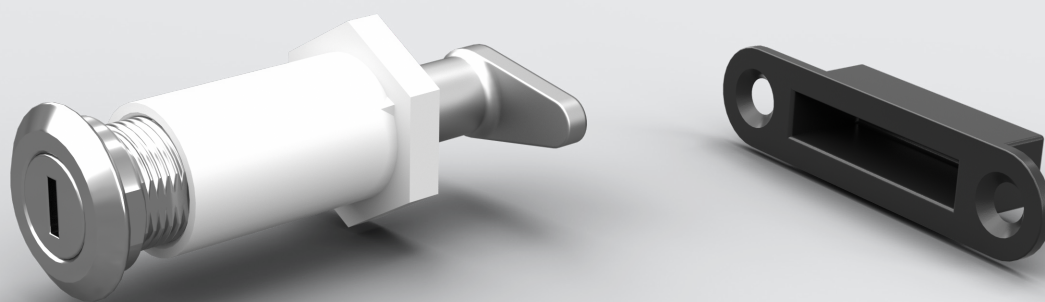
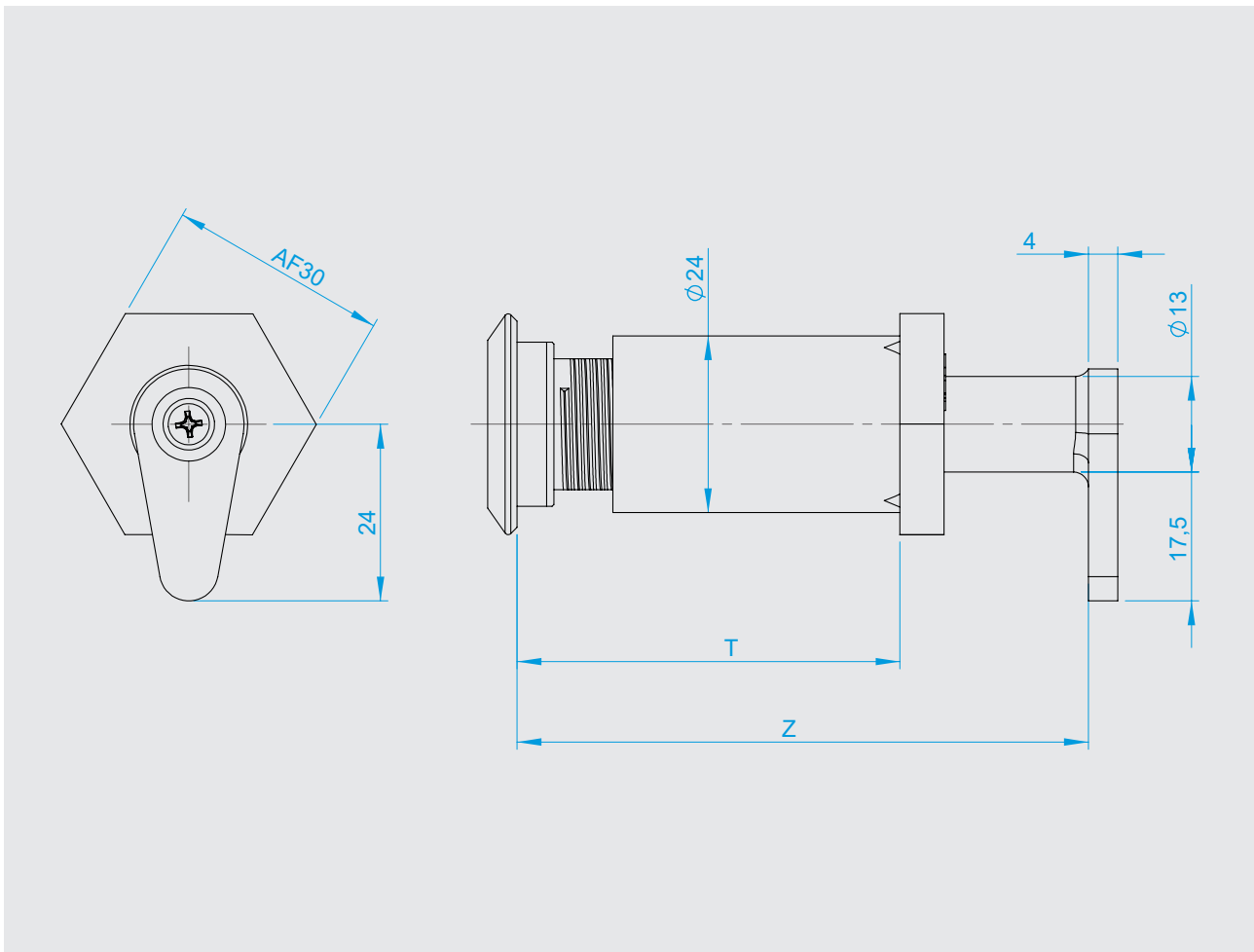


Cylinder lock Series 5801



- Modular locking system
- For door thicknesses 28 mm - 63 mm
- Different locking variants available
- Easy assembly



This cylinder lock provides refrigerators and freezers with a reliable locking solution. The modular locking system is suitable for door thicknesses (T) from 28 mm to 63 mm. Despite its simple assembly, this lock allows diverse locking variants.

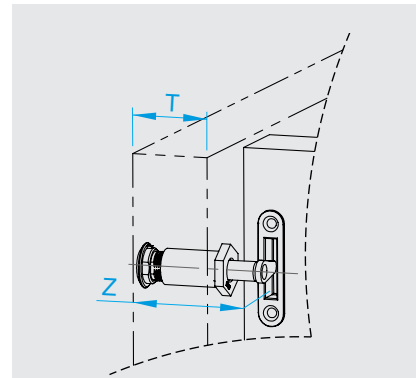
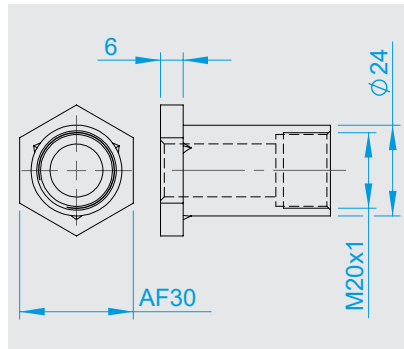
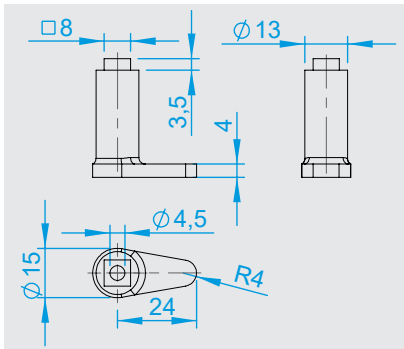
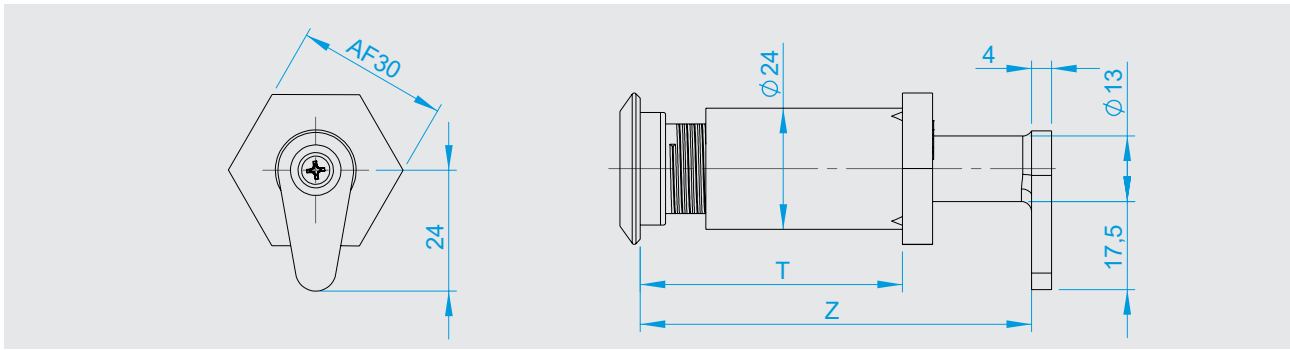
Materials

Housing:	Die-cast zinc, chrome-plated
Locking bolt:	Die-cast zinc, chrome-plated
Locking detent:	Plastic
Pipe nut:	Plastic

Finish: Chrome-plated

Note: Please also see the assembly instructions.

Accessories



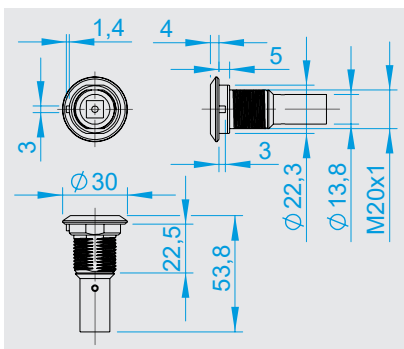
Locking bolt

Z = 65 mm	5983-020648
Z = 72,5 mm	5983-020646
Z = 78,5 mm	5983-020633
Z = 82,5 mm	5983-020647
Z = 85 mm	5983-020636

Pipe nut

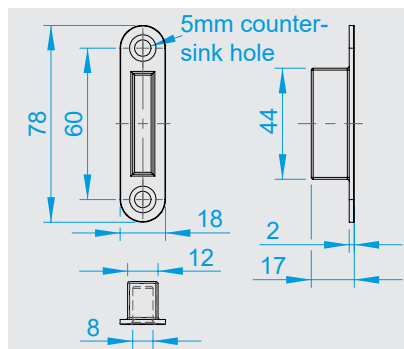
T = 28 - 32 mm	5801-020828
T = 35 - 42 mm	5801-020829
T = 42 - 49 mm	5801-020830
T = 49 - 56 mm	5801-020831
T = 56 - 63 mm	5801-020832

- Locking bolt height depending on door / drawer thickness and position of the lock box Z
- Pipe nut length depending on door / drawer thickness T

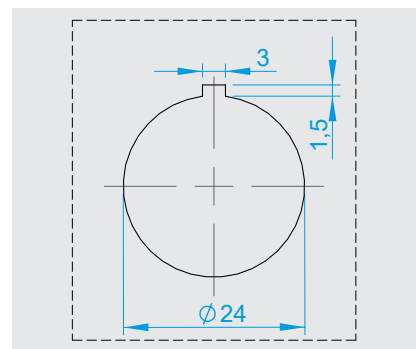


5801-020833 Cylinder lock, chrome, with locking variant 1001

Different locking variants available.



5802-010161 Lock box, plastic



Mounting hole pattern

