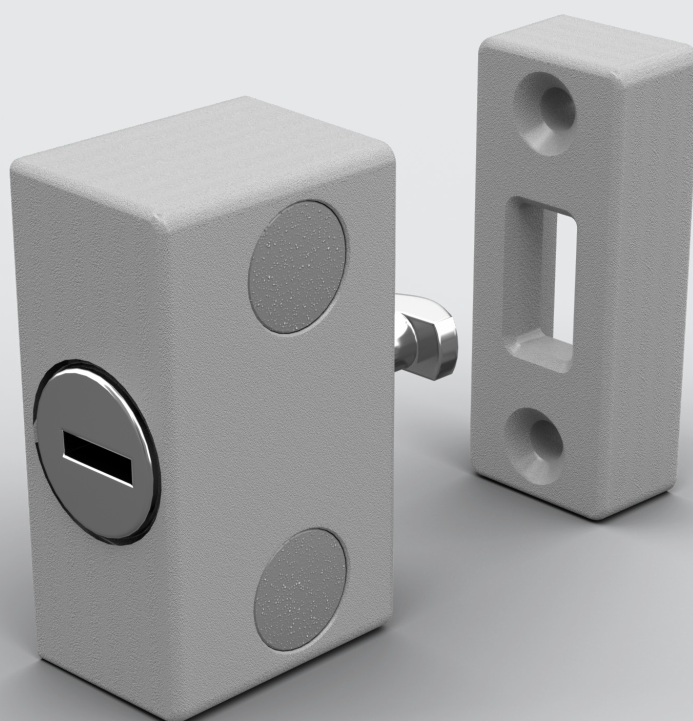
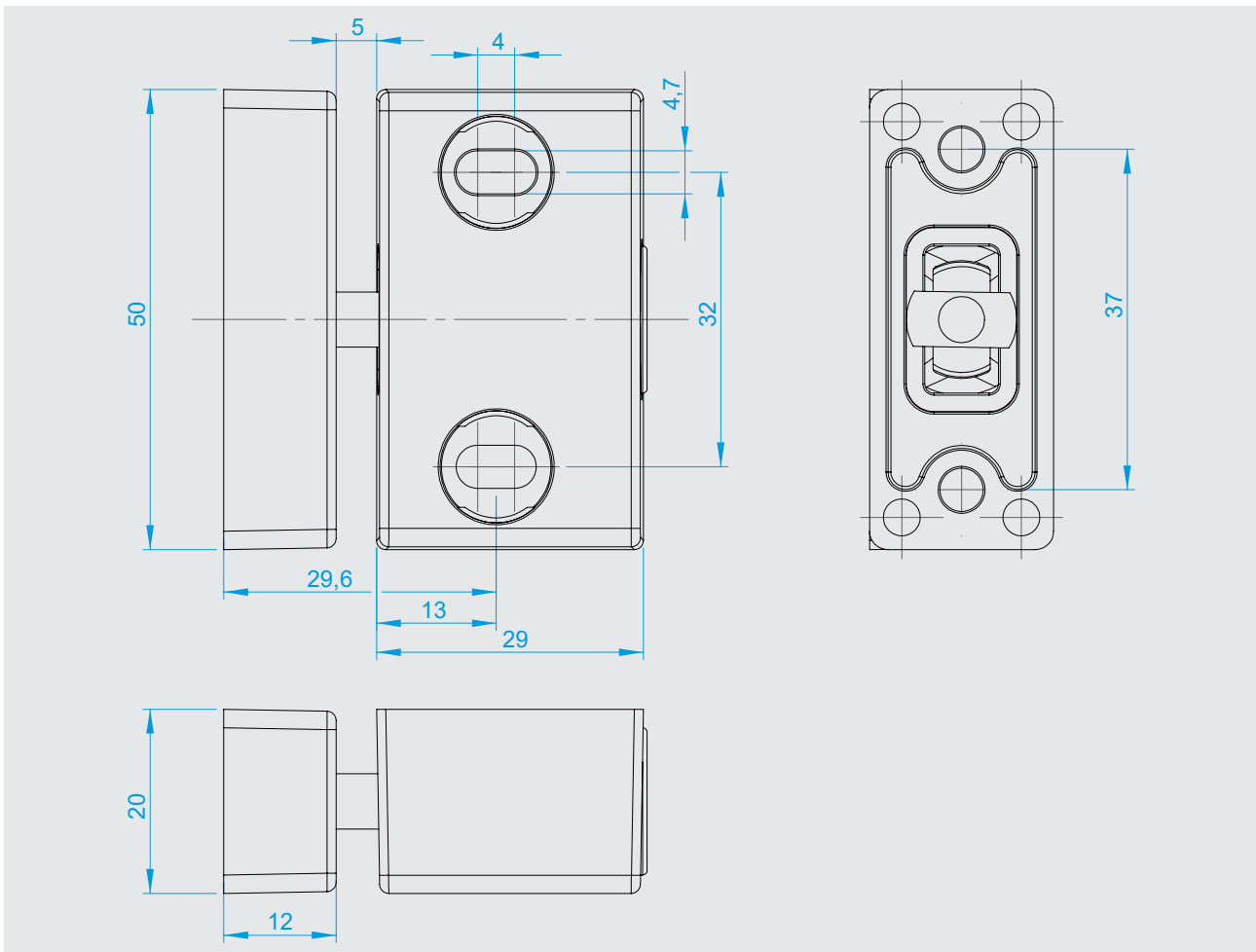


Door and drawer lock Series 5812



- Robust locking system
- [For doors and drawers](#)
- Can be used for both horizontal and vertical positions
- [Different closures](#)
- Concealed screw connection



This lock can be used for more than drawers - it's also perfect for securing doors. The robust edge-mounted latch system has a concealed screw-on feature and can be used for both horizontal and vertical positions – the handleless equivalent of the ERGO series.

Materials

Housing: Die-cast zinc, powder-coated
 Strike element: Die-cast zinc, powder-coated
 Cylinder: Die-cast zinc, chrome-plated
 Cover plug: Plastic

Finish: Powder-coated

Standard color: Silver anodized (custom color)
 Other colors (RAL) on request

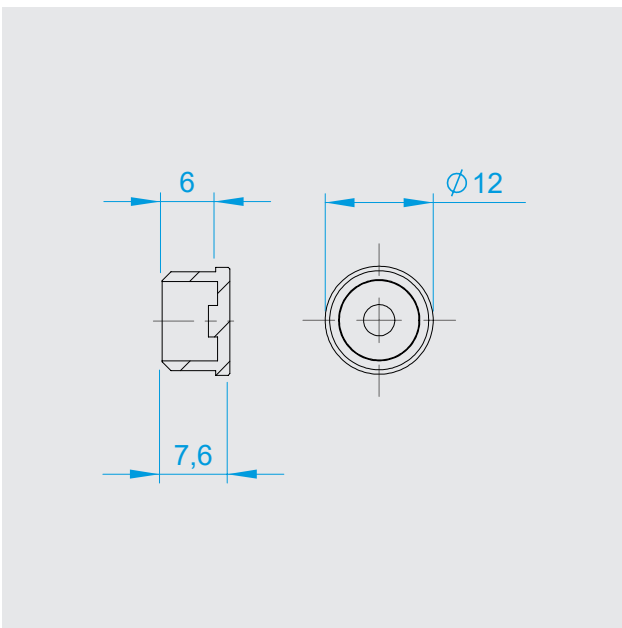
Note: Please also see the assembly instructions.

Door and drawer lock



5812-020010
Drawer latch with locking variant 1001
Different locking variants available.

Accessories



Cover plug, plastic

Black (RAL 9005)	6186.1826
Gray aluminum (RAL 9007)	6186.1827
White aluminum (RAL 9006)	6186.1830

2 cover plugs (6186.1827) are included in the scope of delivery of the 5812.

