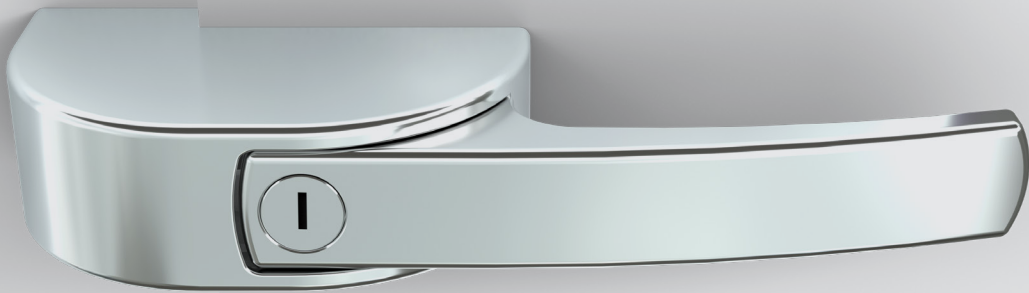
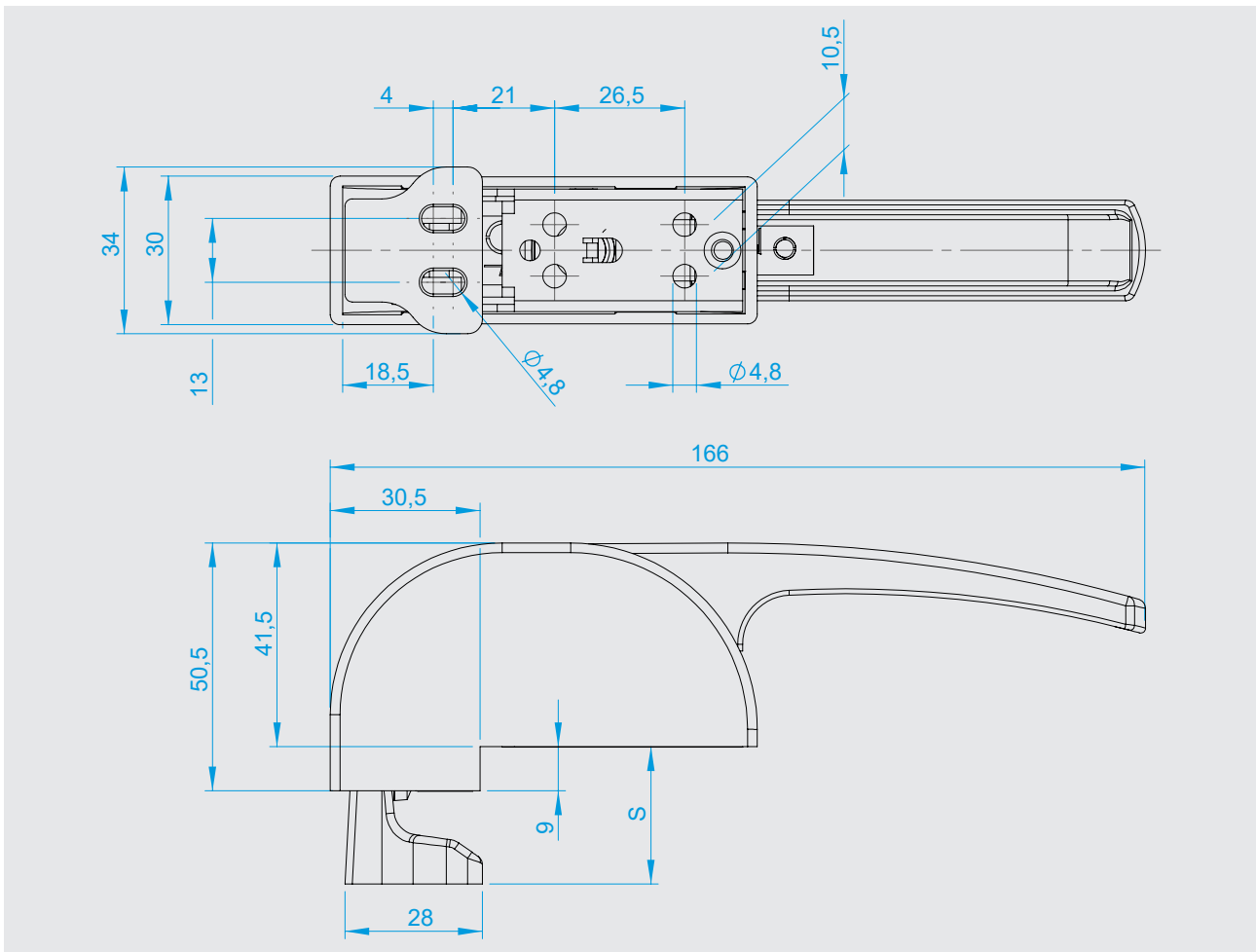


Surface-mounted latch Series 6180



- Self-closing lock with sophisticated look
- For refrigerated cabinets, commercial refrigerators, cold storage cells, etc.
- Only lockable when the door is closed
- Ergonomic handling
- Strike height adjustable



Totally secured? Depends on the lock. The self-closing latch with a sophisticated look makes doors of refrigerated cabinets, commercial refrigerators or fresh food cells completely tight. The latch, which rests on the edge, literally puts a stop to unintentional opening. When the door is closed, it is lockable. This latch is easy to handle thanks to ergonomic operation and its height-adjustable strike.

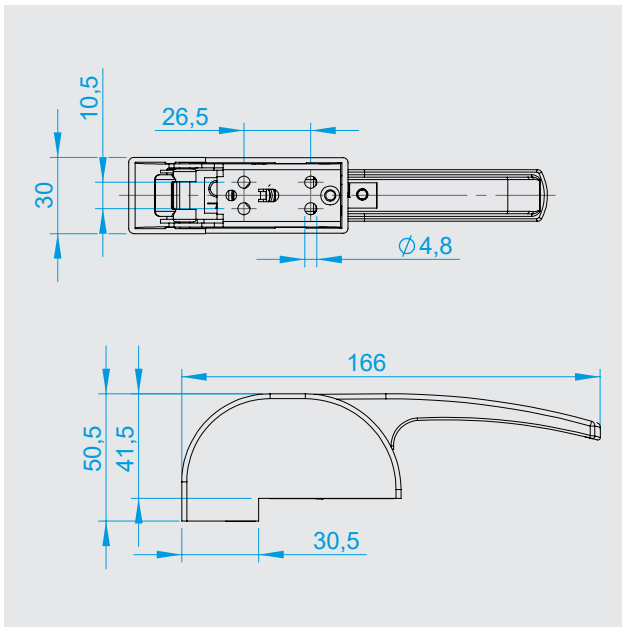
Materials

- Housing: Die-cast zinc, chrome-plated
- Handle: Die-cast zinc, chrome-plated
- Latch: Plastic
- Spring: Spring steel, zinc-plated
- Strikes: Die-cast zinc, chrome-plated
- Main bearing: Steel, zinc-plated
- Punched parts: Steel, zinc-plated
- Bolt: Steel, zinc-plated

Finish: Chrome-plated

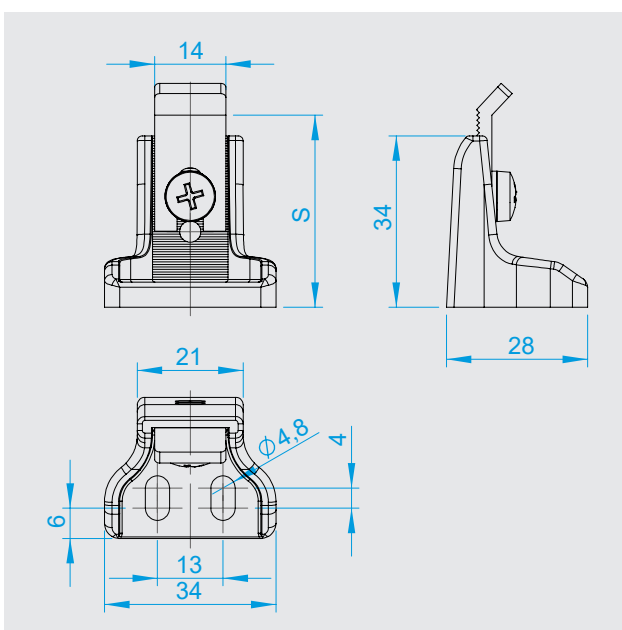
Note: Please also see the assembly instructions.

Latch



6180-020001
Latch, lockable

Strike



6180-020002
Strike, adjustable $S = 21-34$ mm

