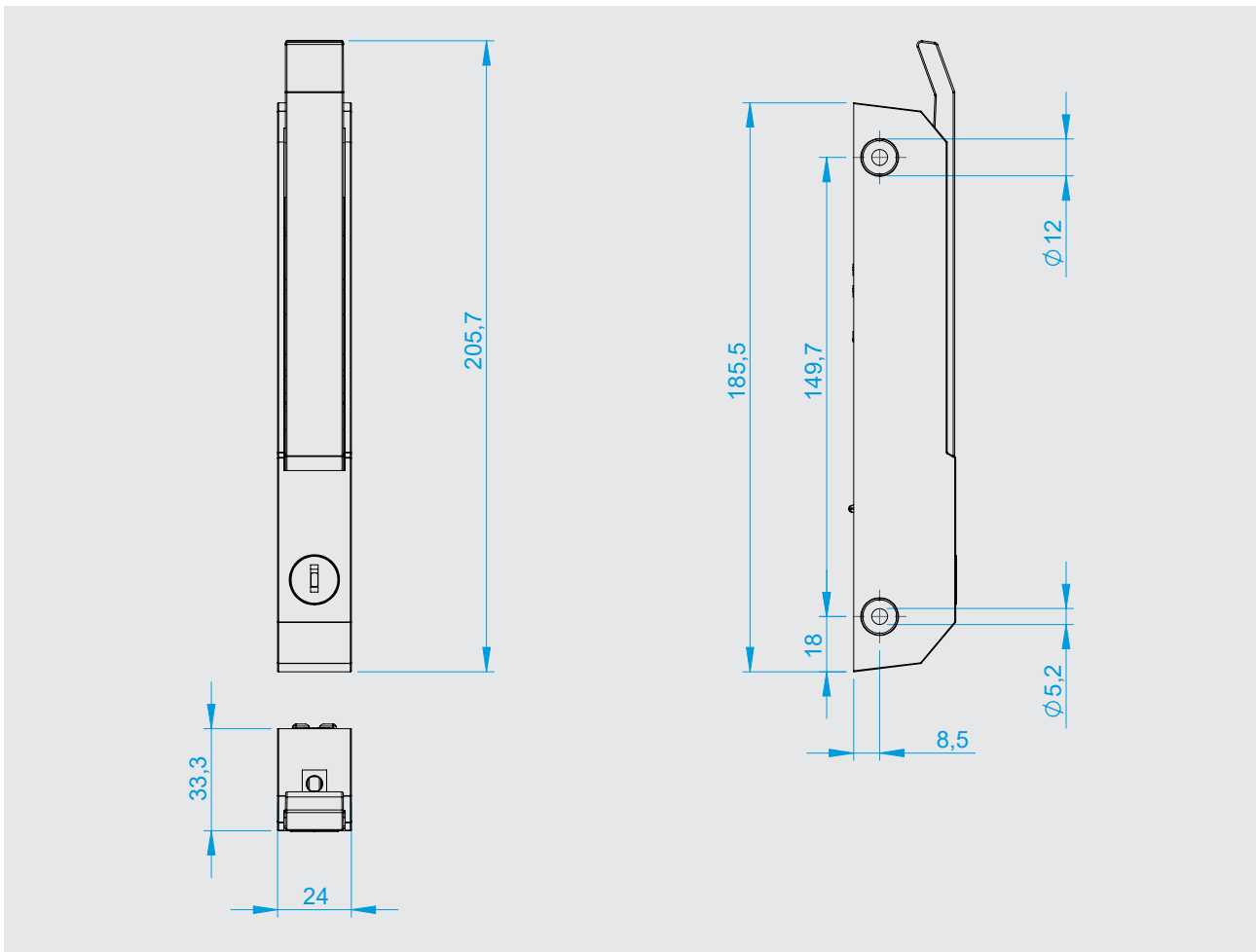


Edge-mounted latch Series 6188 ERGO



- Edge-mounted latch for refrigerated cabinets, commercial refrigerators, cold storage cells, counters etc.
- [Self-closing latch with adjustable locking force](#)
- Lockable/non-lockable
- [Different locking variants](#)
- With normal/reinforced spring force
- [Openable from the inside/non-openable from the inside](#)
- Powder-coated finishes in custom RAL colors on request



Enough with drafts! This edge-mounted latch for doors does not allow any warm breezes to pass through and reliably secures food in refrigerated cabinets, commercial refrigerators or cold storage cells. The self-closing latch with adjustable locking force is available both with and without a lock. In the variants with a lock, different locking variants are possible. Due to normal, optionally also reinforced spring force, interruptions in the cold chain are virtually impossible. They are tried and tested and nice to look at because the edge-mounted latches come either in plastic or with a chrome-plated or powder-coated finish, which is available on request in any of the RAL colors.

Materials

- Base plate: Die-cast zinc, zinc-plated
- Housing: Die-cast zinc, chrome-plated or plastic
- Handle: Die-cast zinc, chrome-plated
- Strikes: Die-cast zinc, chrome-plated
- Latch: Die-cast zinc, zinc-plated
- Caps: Plastic
- Pins: Steel, zinc-plated
- Springs: Spring steel
- Screws: Zinc-plated
- Other components: Plastic or die-cast zinc

- Finish: Chrome-plated, powder-coated

- Standard colors: Chrome
Black (RAL 9005), Gray aluminum (RAL9007)
Other colors (RAL) on request

Note: Please also see the assembly instructions.

Variants



Housing chrome-plated (GCR) / handle chrome-plated (HCR)

	Spring force normal		Spring force reinforced	
	Openable from the inside (NPI)	Non-openable from the inside (NPS)	Openable from the inside (VPI)	Non-openable from the inside (VPS)
Lockable (AB)	6188-020251	6188-020326	6188-020612	6188-020074
Non-lockable (NAB)	6188-020252	6188-020166	6188-020613	6188-020028



Housing plastic (GKU) / handle chrome-plated (HCR)

	Spring force normal		Spring force reinforced	
	Openable from the inside (NPI)	Non-openable from the inside (NPS)	Openable from the inside (VPI)	Non-openable from the inside (VPS)
Lockable (AB)	6188-020225	6188-090220	6188-090230	6188-090240
Non-lockable (NAB)	6188-020224	6188-020230	6188-090231	6188-090241



Housing plastic (GKU) / handle black (RAL 9005)

	Spring force normal		Spring force reinforced	
	Openable from the inside (NPI)	Non-openable from the inside (NPS)	Openable from the inside (VPI)	Non-openable from the inside (VPS)
Lockable (AB)	6188-020226	6188-090320	6188-020228	6188-090340
Non-lockable (NAB)	6188-020223	6188-020231	6188-090331	6188-090341



Housing black (RAL 9005) / handle black (RAL 9005)

	Spring force normal		Spring force reinforced	
	Openable from the inside (NPI)	Non-openable from the inside (NPS)	Openable from the inside (VPI)	Non-openable from the inside (VPS)
Lockable (AB)	6188-020249	6188-090420	6188-020430	6188-090440
Non-lockable (NAB)	6188-090411	6188-090421	6188-090431	6188-090441



Housing grey aluminum (RAL 9007) / handle grey aluminum (RAL 9007)

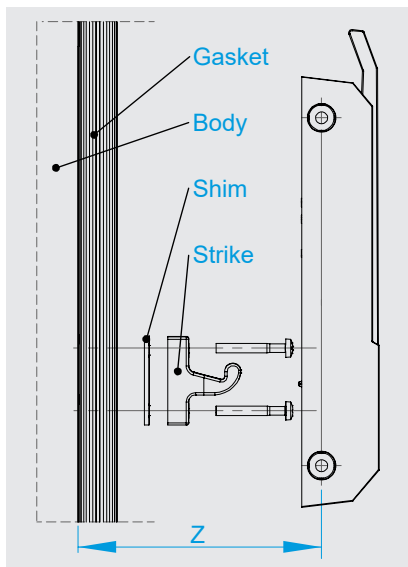
	Spring force normal		Spring force reinforced	
	Openable from the inside (NPI)	Non-openable from the inside (NPS)	Openable from the inside (VPI)	Non-openable from the inside (VPS)
Lockable (AB)	6188-020250	6188-090520	6188-090530	6188-090540
Non-lockable (NAB)	6188-090511	6188-090521	6188-090531	6188-090541

Strikes & accessories see page 12

Unlisted combinations of housing, handle, lockable/non-lockable, normal spring force/reinforced spring force & openable/non-openable from the inside, as well as colors of housing & handle can be ordered on request with a minimal order quantity. Different locking variants available.



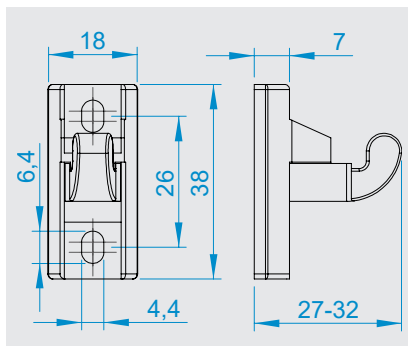
Strike table for Ergo Series (6188 & 6190)



Z dimensions for combination strike with shim 5mm

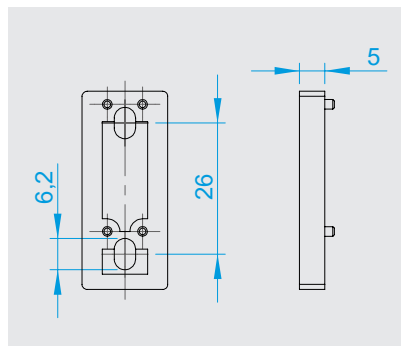
Strike	Without shim	1x shim	2x shim
Adjustable	Z = 16-21mm	Z = 21-26mm	Z = 26-31mm

Strike



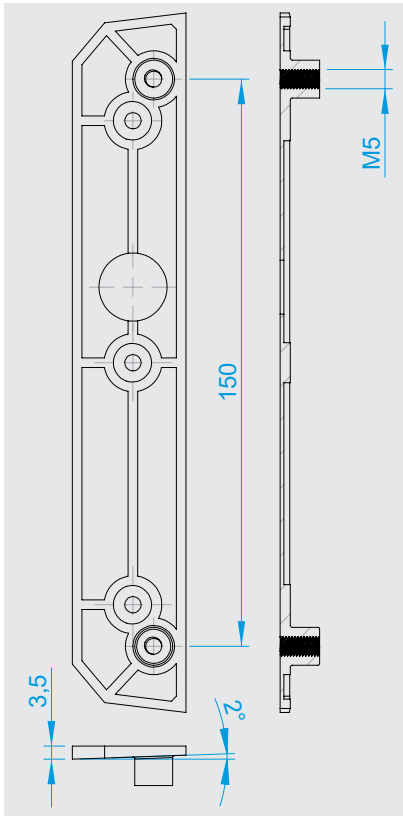
6188-020207
Strike, chrome-plated,
adjustable 5mm

Shim



6188-020208
Shim 5 mm, plastic

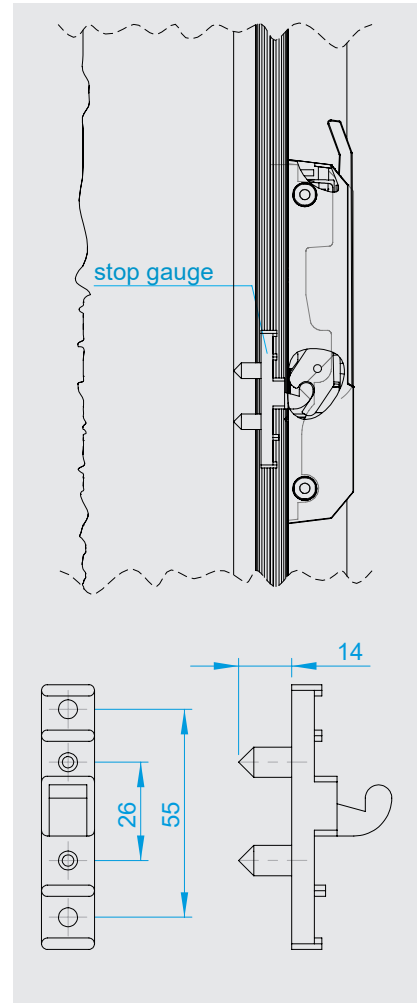
Accessories for Ergo Series (6188 & 6190)



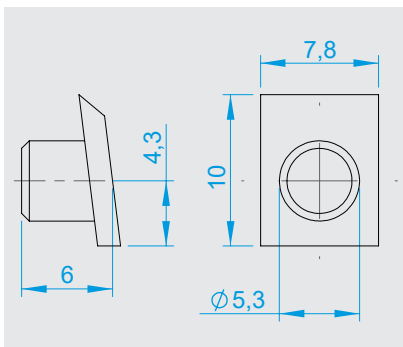
6188-020506
Adapter plate, plastic, slanted

Assembly instructions for series 6188 & 6190

- Fasten latch on door, according to strike table
- Insert stop gauge until lock engages
- Press door against frame to mark mounting holes for the strike
- Screw on strike and shim according to the strike table
- Close door
- If the lock does not fully engage, screw in the adjustment screw, if necessary, pull the locking lug forward

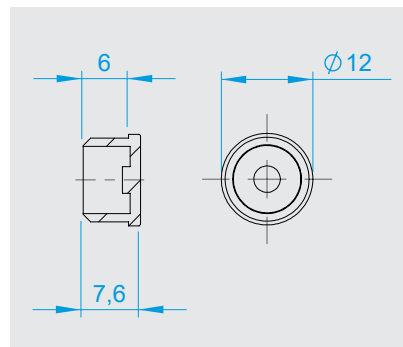


6188-020258
Stop gauge



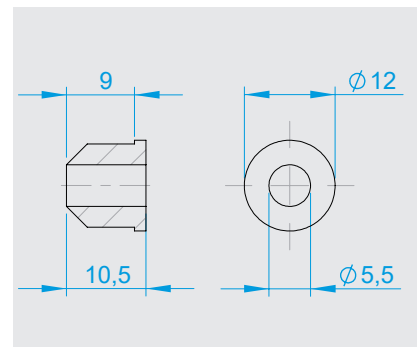
Cover, plastic

Black (RAL 9005)	6188.0278
Gray aluminum (RAL 9007)	6188.0277
White aluminum (RAL 9006)	6188.0279



Cover plug, plastic

Black (RAL 9005)	6186.1826
Gray aluminum (RAL 9007)	6186.1827
White aluminum (RAL 9006)	6186.1830



Cover plug, plastic, with hole

Black (RAL 9005)	6186.2945
------------------	------------------