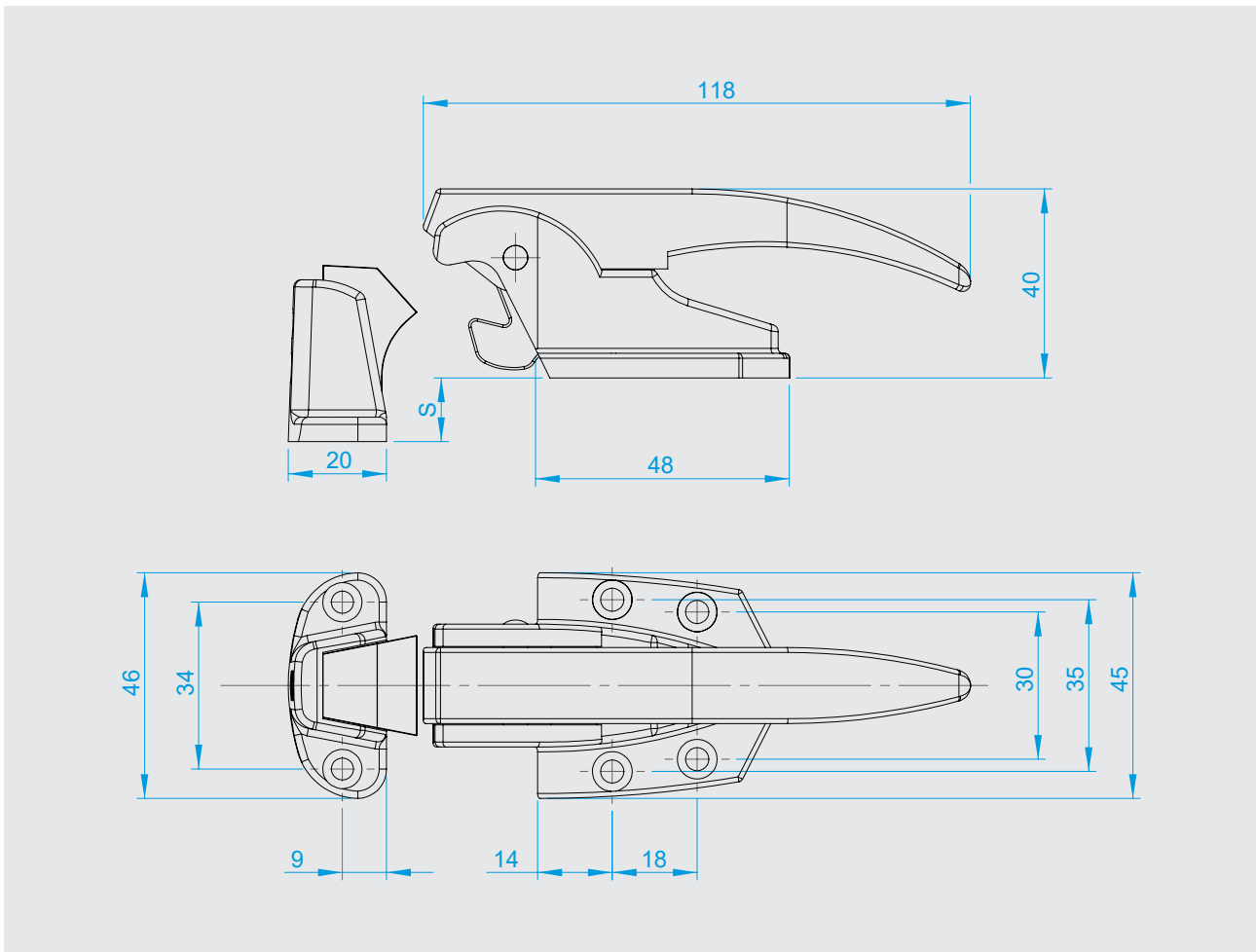


Edge-mounted latch Series 6770



- Robust, self-closing latch with increased locking force
- For refrigerated cabinets, commercial refrigerators, cold storage cells and so on
- Application for demanding requirements
- Locking strike height adjustable



This durable, self-closing latch is primarily intended for refrigerated cabinets, commercial refrigerators and fresh food cells, but is also excellent for other applications. Thanks to robust material and height-adjustable strikes, this latch masters any requirement, no matter how demanding.

Dimension S gives the dimension from the edge of the body to the outer surface of the door. Due to the fact that the strike is height-adjustable by 18.5 mm, this latch can be mounted on doors with a thickness between 11.5 mm and 30 mm.

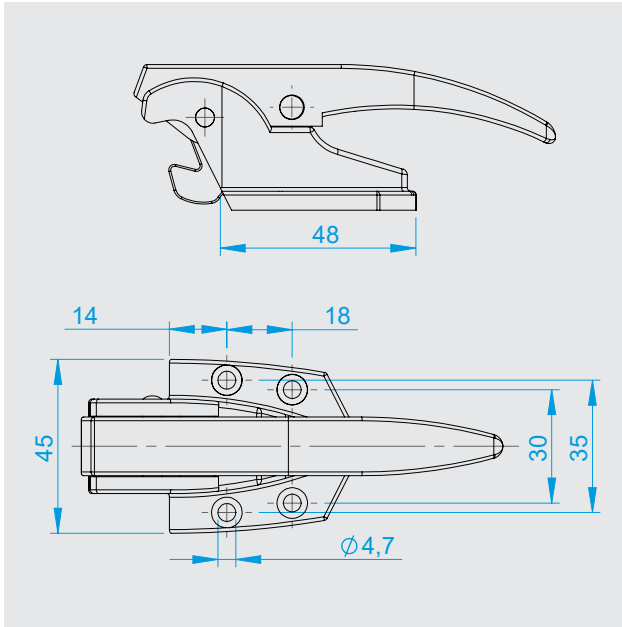
Materials

Housing:	Die-cast zinc, chrome-plated
Handle:	Die-cast zinc, chrome-plated
Strikes:	Die-cast zinc, chrome-plated
Catch:	Brass
Bolt:	Stainless steel
Springs:	Spring steel, zinc-plated
Spring tray:	Steel, zinc-plated

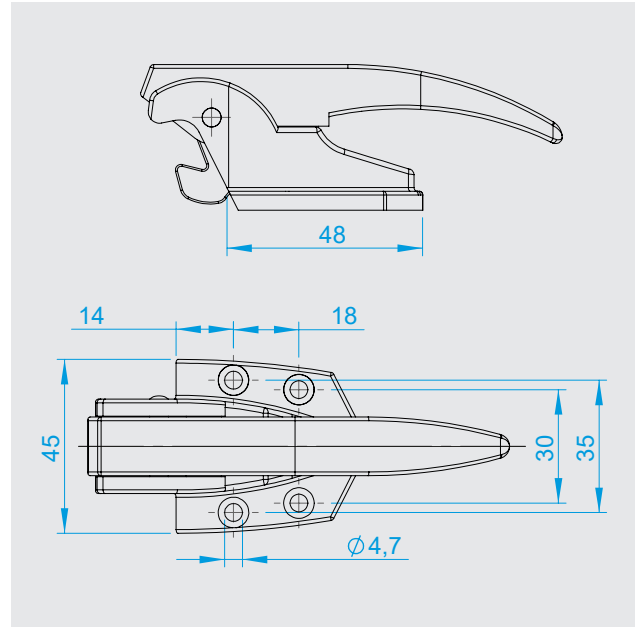
Finish: Chrome-plated

Note: Please also see the assembly instructions.

Variants

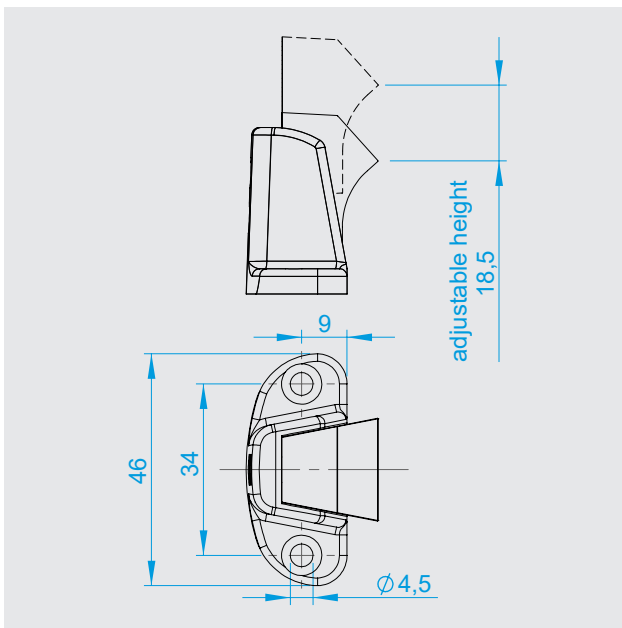


6770-020210
 Latch with hole
 e.g. for padlock



6770-020211
 Latch, non-lockable

Strike



6770-020212
 Strike, adjustable
 11.5mm - 30mm

