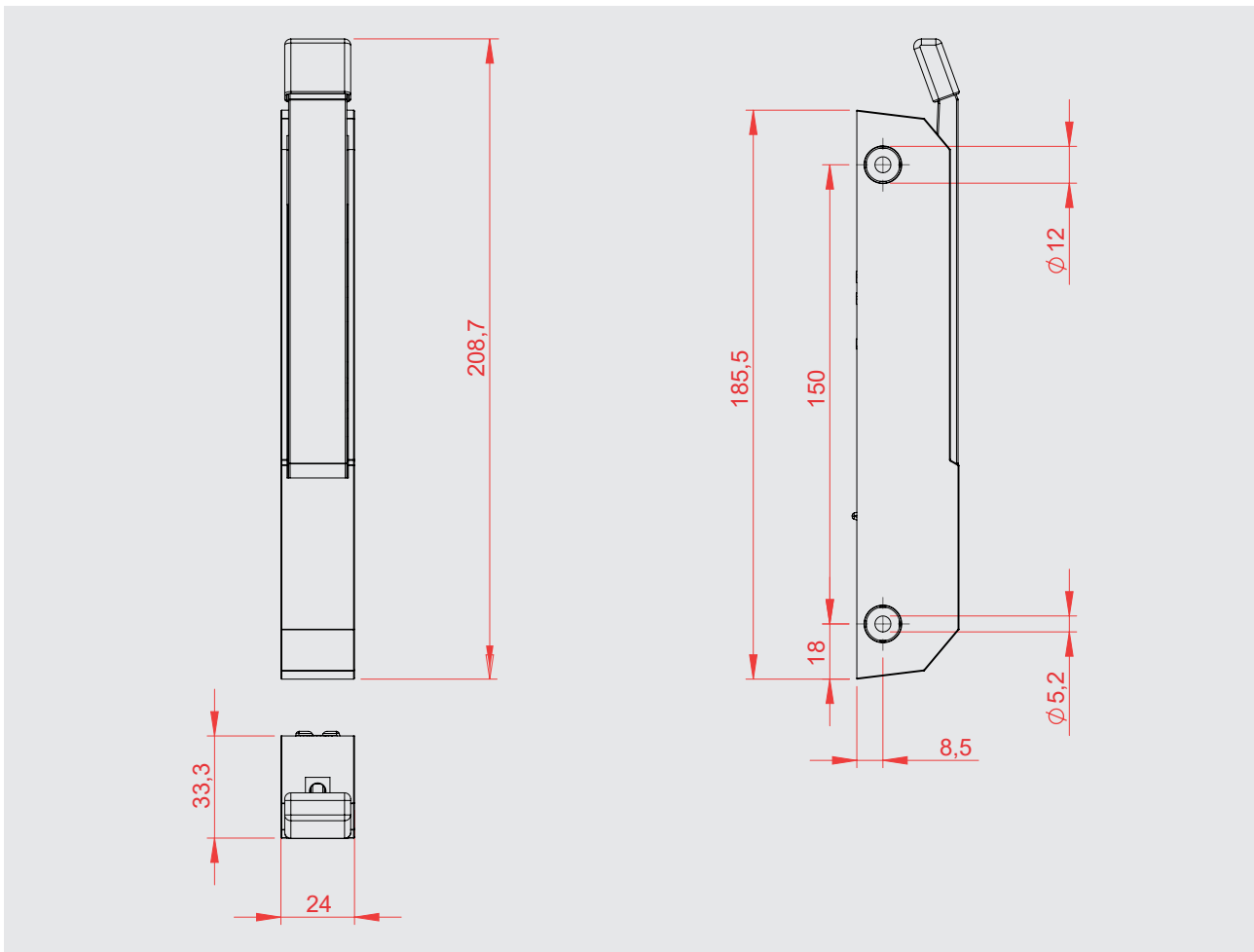


Edge-mounted latch Series 6188 ERGO



- Self-closing latch with adjustable closing force
- **non-lockable**
- Wide variety of surface finishes



Enough with drafts! This edge-mounted latch doesn't allow even the slightest breeze and ensures a constant temperature in hot appliances, warming units and counters. You can always rely on the self-closing latch with adjustable closing force. You'll never be caught out in the hot handed with this one – also in terms of safety, because the plastic cap on the chrome handle protects fingers as well as it does the temperature.

Materials

Base plate:	Die-cast zinc, zinc-plated
Housing:	Die-cast zinc, chrome-plated
Handle:	Die-cast zinc, chrome-plated
Strike:	Die-cast zinc, chrome-plated
Latch:	Die-cast zinc, zinc-plated
Caps:	Plastic
Pins:	Steel, zinc-plated
Springs:	Spring steel
Screws:	zinc-plated
Other components:	Plastic or die-cast zinc

Finish: chrome-plated

Note: Please also see the assembly instructions.

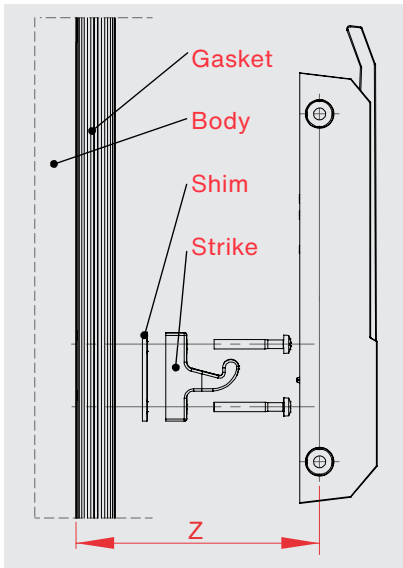
Variant



6188-020028
Edge-mounted latch, chrome-plated



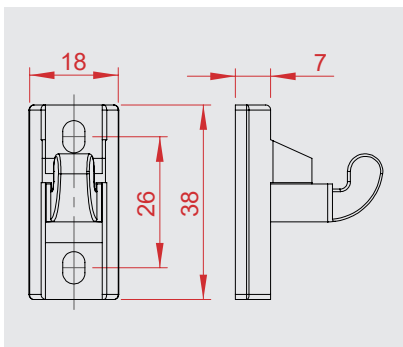
Strike table



Z-Dimensions Strike with shim 5mm

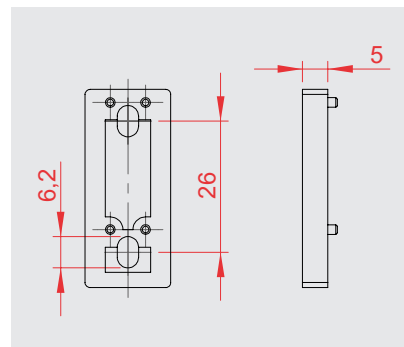
Strike	without shim	1x shim	2x shim
	Z = 16-21mm	Z = 21-26mm	Z = 26-31mm

Strike



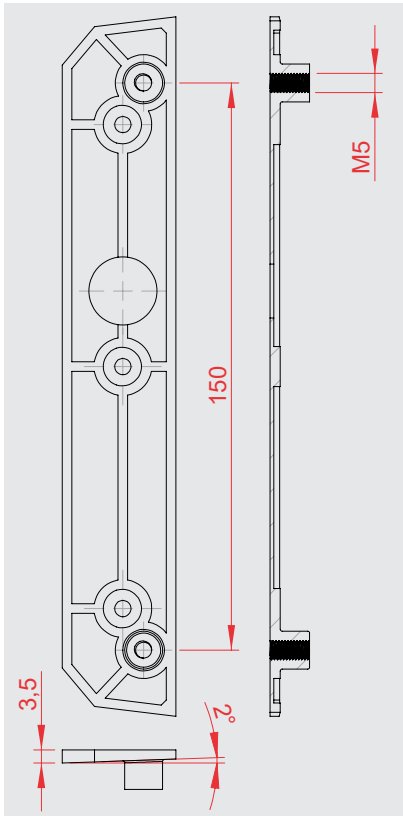
6188-020207
Strike, chrome-plated

Shim



6188-020208
Shim 5 mm, plastic

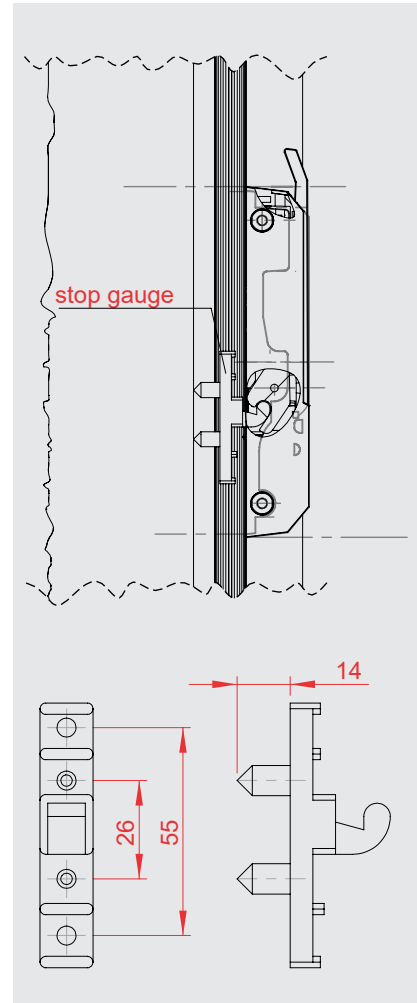
Accessories



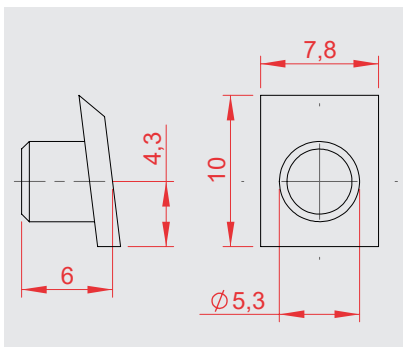
6188-020506
Adapter plate, slanted, plastic

Mounting instructions

- Fasten latch on door, according to strike table
- Insert stop gauge until latch engages
- Press door against frame to mark mounting holes for the strike
- Screw on strike and shim according to the strike table
- Close door
- If the latch does not fully engage, screw in the adjustment screw. If necessary, place an additional shim under the latch and pull the strike part forward

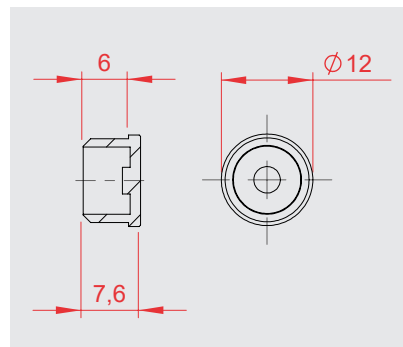


6188-020258
stop gauge



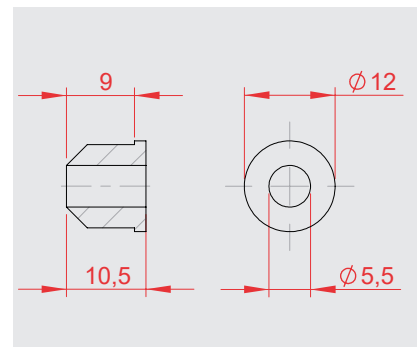
Cap for adjustment screw, plastic

black (RAL 9005)	6188.0278
grey aluminium (RAL 9007)	6188.0277
white aluminium (RAL 9006)	6188.0279



Cap plastic

black (RAL 9005)	6186.1826
grey aluminium (RAL 9007)	6186.1827
white aluminium (RAL 9006)	6186.1830



Cap with hole, plastic

black (RAL 9005)	6186.2945
------------------	------------------