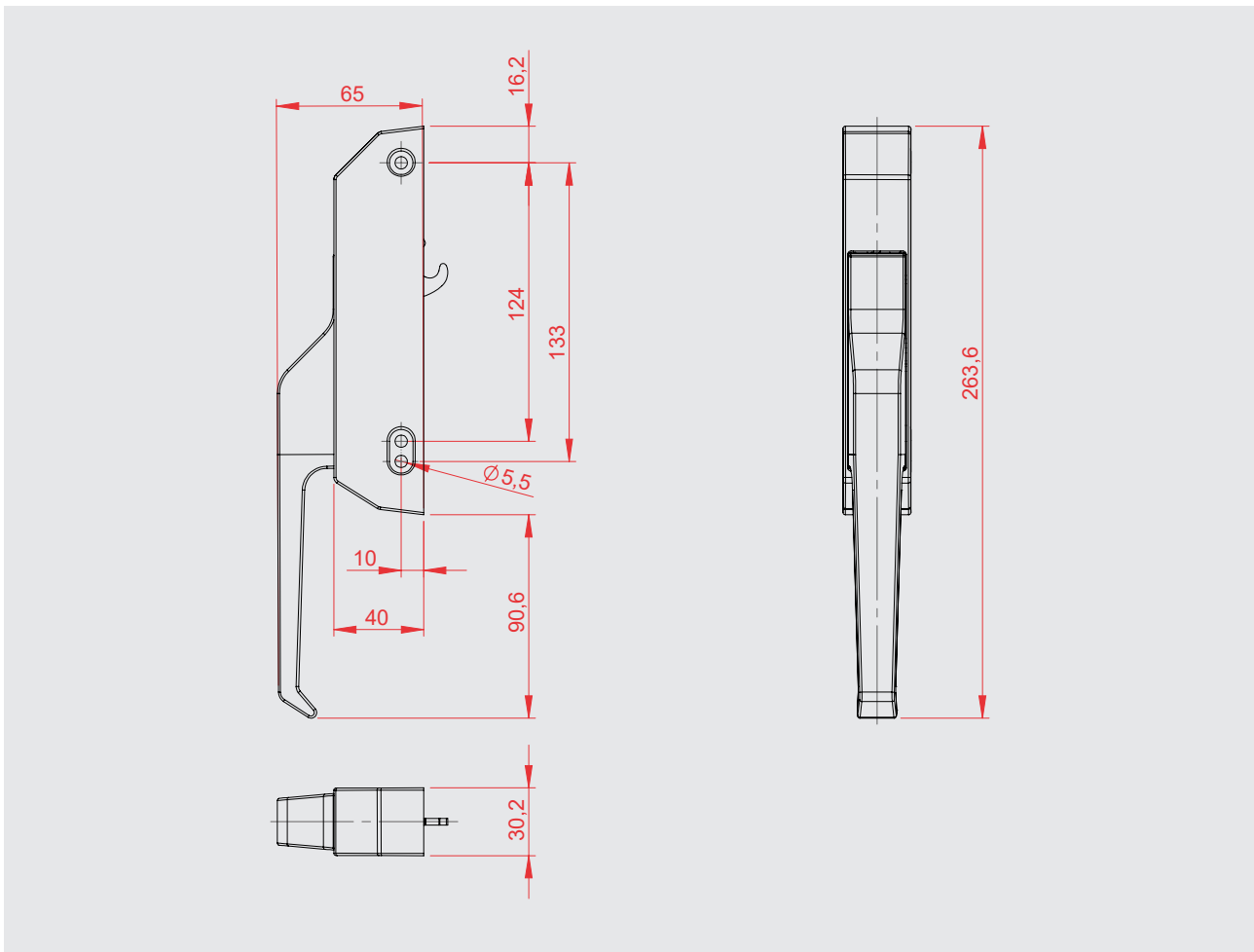


Edge-mounted latch Series 6200 DUPLO



- Self-closing latch with proven technology
- Prepared for easy switch from 2-step opening to 1-step opening
- Various surface finishes



Enough with drafts! This edge-mounted latch doesn't allow even the slightest breeze and ensures a constant temperature in hot appliances, warming units and counters. You can always rely on the self-closing latch with adjustable closing force. You'll never be caught in the cold with this one. The edge-mounted latch is at least as good to look at as it is reliable, with a chrome-plated finish.

Materials

Base plate:	Die-cast zinc, zinc-plated
Housing:	Die-cast zinc, chrome-plated or cathodic dip coated (CDC)
Handle:	Die-cast zinc, chrome-plated
Strike:	Die-cast zinc, zinc-plated
Latch:	Die-cast zinc, zinc-plated
Cpas:	Plastic
Pins:	Steel, zinc-plated
Springs:	Spring steel
Screws:	zinc-plated
Other components:	Plastic or die-cast zinc

Finish: chrome-plated

Note: Please also see the assembly instructions.

Variants

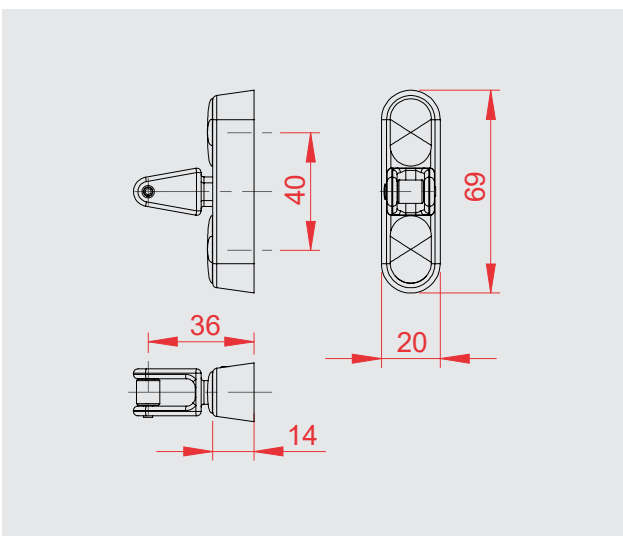


6200-020980
Handle standard, chrome-plated



6200-020920
Socket for custom handles,
chrome-plated / black

Accessorie



6200-020921
Strike, zinc-plated

