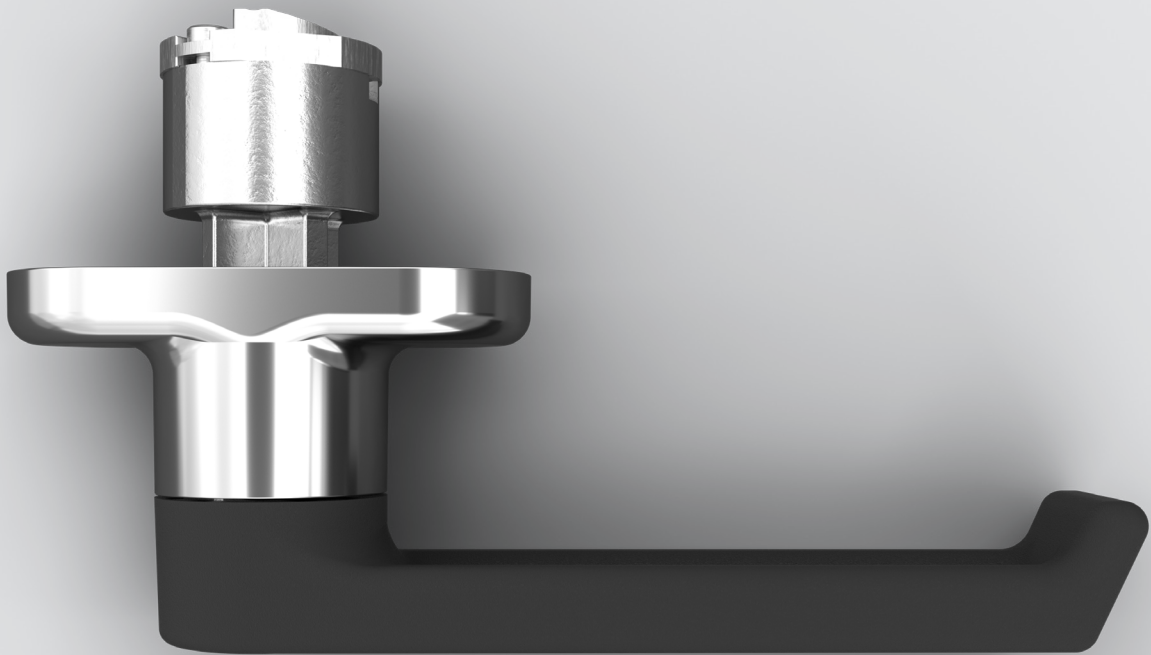
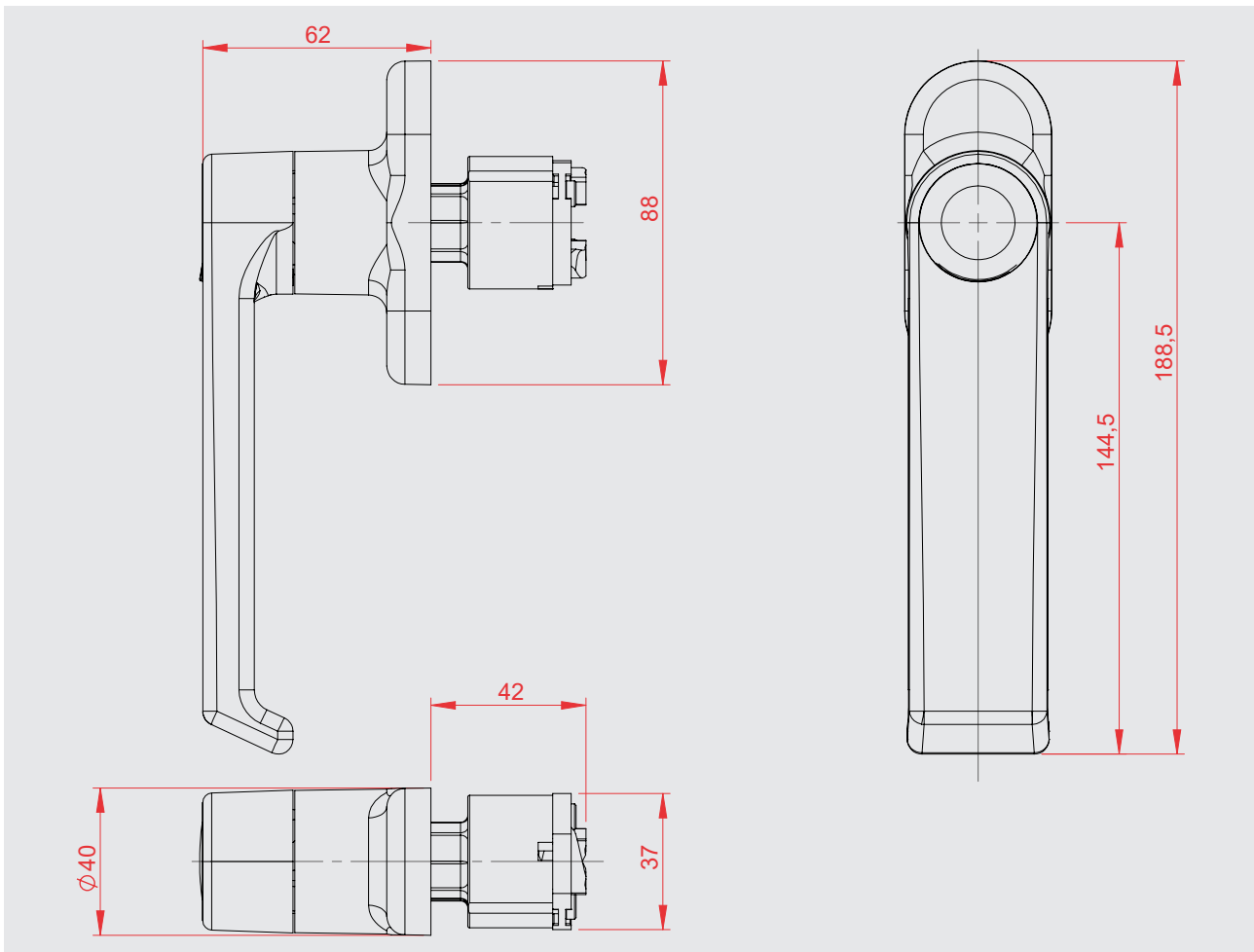


Cam action latch Series 6302



- Easy handling of high sealing force
- Can be mounted from the frontside or from the inside of the oven door
- Compressing distance 4 mm
- Fine adjustment via strike thread
- Handle customisation upon request



This latch always leaves a great impression as it shines in a multitude of challenges: Granted, this primarily has to do with its functionality and power, but the chrome housing also does its part. Robust as it is, it also builds up high sealing forces without any problems. It can even be refined with a customized handle. The cam action latch is also convincing in terms of closing force: Its distance from released to locked is 4 mm. The strike thread also allows fine adjustment of the latch. The whole thing is rounded off by the option of ordering this latching system either for inside or outside mounting and in a left- or right-hand version.

Materials

Axle: Die-cast zinc, zinc-plated
 Ramp: Stainless steel
 Handle: Plastic
 Housing: Die-cast zinc, chrome-plated
 Other components: Stainless steel, tempered steel

Colors: black

Note: Please also see the assembly instructions.

Variants



Cam-action latch
for inside mounting

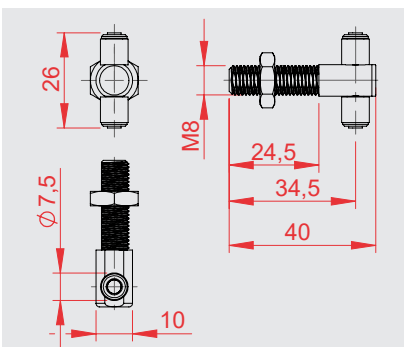
Right	6302-020010
Left	6302-020020



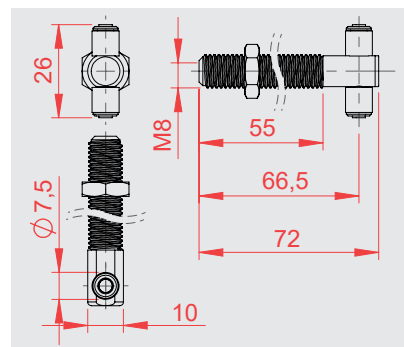
Cam-action latch
for outside mounting

Right	6302-020050
Left	6302-020060

Accessories



6302-020030
Strike



6302-020054
Strike

